

Datasheet - AZ 17-02ZI-B6L

Safety switch with separate actuator / AZ 17ZI / AZ 17/170ZI-B6L



- left-hand model
- For very small actuating radii in line with or at 90° to the plane of the actuator
- Thermoplastic enclosure
- Double-insulated
- Long life
- 30 mm x 60 mm x 30 mm
- Small body
- Individual coding
- Coding level "High" according to ISO 14119
- High level of contact reliability with low voltages and currents
- Insensitive to soiling
- 8 actuating planes
- Slot sealing plug included
- cable gland M16

(Minor differences between the printed image and the original product may exist!)

Ordering details

| | |
|--------------------------|----------------|
| Product type description | AZ 17-02ZI-B6L |
| Article number | 101122858 |
| EAN Code | 4030661049779 |
| eCI@ss | 27-27-26-02 |

Approval

Approval



Classification

| | |
|-----------------------------------|--|
| Standards | EN ISO 13849-1 |
| B10d Normally-closed contact (NC) | 2.000.000 |
| Mission time | 20 Years |
| notice | $MTTF_d = \frac{B_{10d}}{0,1 \times n_{op}}$ $n_{op} = \frac{d_{op} \times h_{cp} \times 3600 \text{ s/h}}{t_{cycle}}$ |

Global Properties

| | |
|----------------------------|---|
| Permanent light | AZ 17ZI |
| Standards | EN 60947-5-1, BG-GS-ET-15 |
| Materials | |
| - Material of the housings | Plastic, glass-fibre reinforced thermoplastic, self-extinguishing |
| - Material of the actuator | Stainless steel |
| - Material of the contacts | Silver |
| Housing coating | None |
| Weight | 100 |

Mechanical data

| | |
|---------------------------------|---------------------------|
| Design of electrical connection | IDC method of termination |
| Cable section | |
| - Min. Cable section | 1 x 0,75 |
| - Max. Cable section | 1 x 1.0, flexible |
| Mechanical life | > 1.000.000 operations |
| higher Latching force (Y/N) | No |
| Latching force | 5 |
| Positive break force | 17 N |
| positive break travel | 11 mm |
| Max. Actuating speed | 2 m/s |

Ambient conditions

| | |
|----------------------------------|----------------------|
| Ambient temperature | |
| - Min. environmental temperature | -30 °C |
| - Max. environmental temperature | +80 °C |
| Protection class | IP67 to IEC/EN 60529 |

Electrical data

| | |
|---|---|
| Design of control element | Opener (NC) |
| Switching principle | Creep circuit element |
| Number of auxiliary contacts | 0 |
| Number of safety contacts | 2 |
| Supply voltage | |
| - Min. supply voltage | |
| - Max. supply voltage | 230 V |
| Rated impulse withstand voltage U_{imp} | 4 kV |
| Rated insulation voltage U_i | 250 V |
| Thermal test current I_{the} | 10 A |
| Utilisation category | AC-15: 230 V / 4 A DC-13: 24 V / 4 A |
| Max. fuse rating | 6 A gG D-fuse |

ATEX

| | |
|---|------|
| Explosion protection categories for gases | None |
| Explosion protected category for dusts | None |

Dimensions

| | |
|--------------------------|----|
| Dimensions of the sensor | |
| - Width of sensor | 30 |

| | |
|--------------------|----|
| - Height of sensor | 85 |
| - Length of sensor | 30 |

notice

Actuating radius adjustable, minimum 50 mm, using an hexagonal key wrench 2 mm A/F (a and b)

The axis of the hinge should be 11 mm above the top edge of the safety switch and in the same plane

The actuator is not available separately.

This type termination (IDC) method enables simple connection of flexible conductors without the need for the use of conductor ferrules

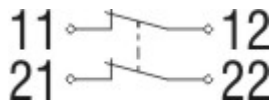
Included in delivery

Not available as spare part

Included in delivery

- Individually coded actuator
- tamperproof screws
- Slot sealing plugs

Diagram



Note Diagram

- positive break NC contact
- active
- no active
- Normally-open contact
- Normally-closed contact

Switch travel diagram



Notes Switch travel diagram

- Contact closed
- Contact open
- Setting range
- Break point
- Positive opening sequence/- angle
- VS** adjustable range of NO contact
- VÖ** adjustable range of NC contact
- N** after travel

Ordering suffix

The applicable ordering suffix is added at the end of the part number of the safety switch.

Order example: AZ 17-02ZI-B6L-**2243**

| | |
|-------------|-----------------------------|
| ...-2243 -1 | Cable output: rear |
| ...-1637 | 0,3 µm gold-plated contacts |
| ...-6M | Cable length 6 Meter |
| ...-5M | Cable length 5 Meter |

Ordering code

AZ 17-(1)Z(2)I-(3)-(4)-(5)

| | |
|----------------|--|
| (1) | |
| 11 | 1 Normally open contact (NO) / 1 Opener (NC) |
| 02 | 2 Opener (NC) |
| (2) | |
| <i>without</i> | Latching force 5 N |
| R | Latching force 30 N |
| (3) | |
| <i>without</i> | cable gland M16 |
| ST | Connector M12 |
| (4) | |
| B1 | Actuator B1 |
| B5 | Actuator B5 |
| B6L | Actuator B6L |
| B6R | Actuator B6R |
| (5) | |
| 1637 | gold-plated contacts |

Documents

Operating instructions and Declaration of conformity (pl) 587 kB, 08.07.2016

Code: mrl_az17i_pl

Operating instructions and Declaration of conformity (es) 556 kB, 27.04.2016

Code: mrl_az17i_es

Operating instructions and Declaration of conformity (en) 551 kB, 22.04.2016

Code: mrl_az17i_en

Operating instructions and Declaration of conformity (fr) 554 kB, 29.04.2016

Code: mrl_az17i_fr

Operating instructions and Declaration of conformity (it) 550 kB, 22.04.2016

Code: mrl_az17i_it

Operating instructions and Declaration of conformity (de) 556 kB, 22.04.2016

Code: mrl_az17i_de

Operating instructions and Declaration of conformity (pt) 555 kB, 13.05.2016

Code: mrl_az17i_pt

Operating instructions and Declaration of conformity (jp) 721 kB, 02.05.2016

Code: mrl_az17i_jp

Operating instructions and Declaration of conformity (cn) 675 kB, 21.06.2017

Code: mrl_az17i_cn

Operating instructions and Declaration of conformity (nl) 585 kB, 29.06.2018

Code: mrl_az17i_nl

Operating instructions and Declaration of conformity (br) 606 kB, 17.05.2016

Code: mrl_az17i_br

Operating instructions and Declaration of conformity (de) 121 kB, 24.09.2018

Code: mrl_az17-azm170-betaetiger_de

Operating instructions and Declaration of conformity (pl) 160 kB, 24.09.2018

Code: mrl_az17-azm170-betaetiger_pl

Operating instructions and Declaration of conformity (it) 120 kB, 24.09.2018

Code: mrl_az17-azm170-betaetiger_it

Operating instructions and Declaration of conformity (da) 134 kB, 24.09.2018

Code: mrl_az17-azm170-betaetiger_da

Operating instructions and Declaration of conformity (pt) 120 kB, 24.09.2018

Code: mrl_az17-azm170-betaetiger_pt

Operating instructions and Declaration of conformity (en) 120 kB, 24.09.2018

Code: mrl_az17-azm170-betaetiger_en

Operating instructions and Declaration of conformity (cs) 157 kB, 24.09.2018

Code: mrl_az17-azm170-betaetiger_cs

Operating instructions and Declaration of conformity (jp) 215 kB, 24.09.2018

Code: mrl_az17-azm170-betaetiger_jp

Operating instructions and Declaration of conformity (sv) 121 kB, 24.09.2018

Code: mrl_az17-azm170-betaetiger_sv

Operating instructions and Declaration of conformity (nl) 120 kB, 24.09.2018

Code: mrl_az17-azm170-betaetiger_nl

Operating instructions and Declaration of conformity (fr) 121 kB, 24.09.2018

Code: mrl_az17-azm170-betaetiger_fr

Operating instructions and Declaration of conformity (es) 120 kB, 24.09.2018

Code: mrl_az17-azm170-betaetiger_es

BG-test certificate (en) 159 kB, 26.11.2015

Code: z_z17p02

BG-test certificate (de) 181 kB, 26.11.2015

Code: z_z17p01

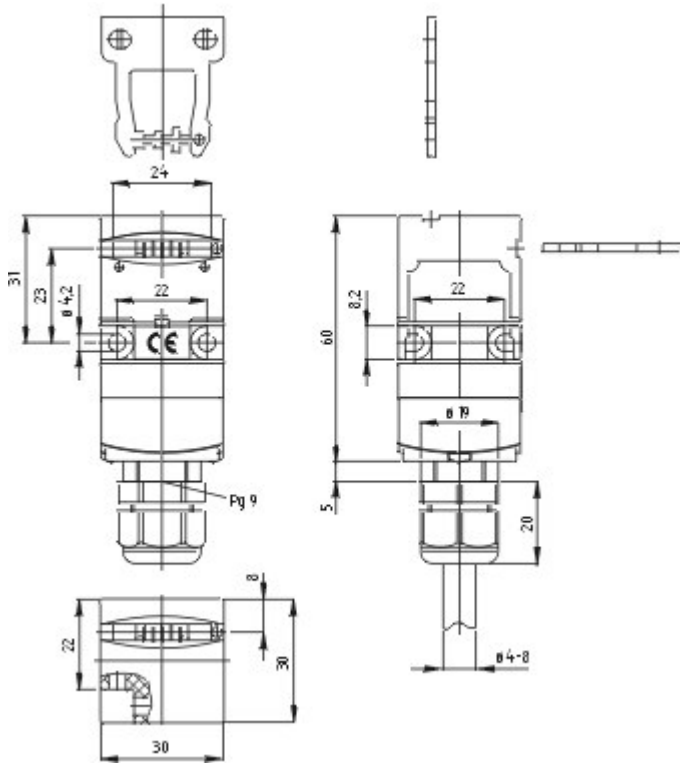
CCC certification (cn) 3 MB, 18.10.2017

Code: q_175p03

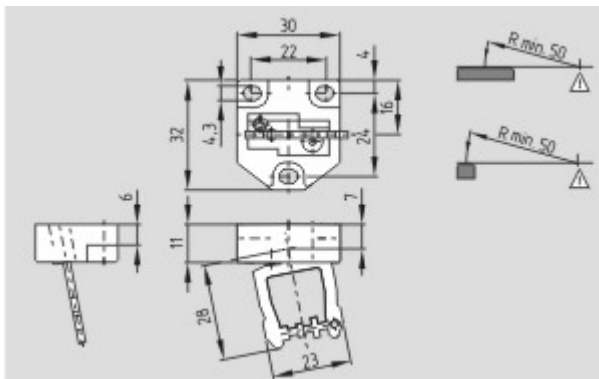
CCC certification (en) 3 MB, 29.08.2017

Code: q_175p02

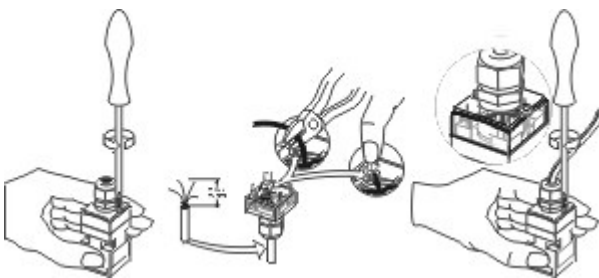
Images



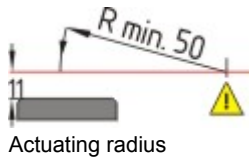
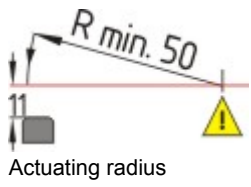
Dimensional drawing (basic component)



Dimensional drawing (miscellaneous)



Assembly example



K.A. Schmersal GmbH & Co. KG, Möddinghofe 30, D-42279 Wuppertal
The data and values have been checked thoroughly. Technical modifications and errors excepted.
Generiert am 13.02.2019 - 14:37:36h Kasbase 3.3.0.F.64l