

## Datasheet - MK 330-11Y

Position switch / light Position switch / M 330 / M 330 Offset roller lever K



Preferred typ



- Metal enclosure
- Long life
- 40 mm x 76 mm x 40 mm ( basic component)
- Suitable for low actuating speeds
- 1 Cable entry M 20 x 1.5
- free of silicon
- proved in power station applications
- Actuator heads can be repositioned by 4 x 90°

(Minor differences between the printed image and the original product may exist!)

### Ordering details

Product type description	MK 330-11Y
Article number	101163173
EAN Code	4030661202525
eCl@ss	27-27-06-01

### Approval

Approval



### Global Properties

Permanent light	330 Rollenhebel K
Standards	EN 60947-5-1
Compliance with the Directives (Y/N)	Yes
Suitable for safety functions (Y/N)	No
Standard housing (Y/N)	No
Materials	
- Material of the housings	cast iron
- Roller material	Plastic
- Material of the contacts	Silver
Housing coating	painted

Weight	190
Slide form	Castor

## Mechanical data

---

Design of electrical connection	Screw connection
Cable section	
- Min. Cable section	1.5
- Max. Cable section	2.5
AWG-Number	13
Active principle	mechanical
Mechanical life	> 30.000.000 operations
notice	All indications about the cable section are including the conductor ferrules.
Design of actuating element	Offset roller lever
Actuating force	min. 19 N
restistance to shock	50 g / 6 ms
Bounce duration	≤ 1.5
Switchover time	≤ 10
Contact opening	2 x 0,5
Repeat accuracy of switching points	± 0,02
Actuating speed	
- Min. Actuating speed	1
- Max. Actuating speed	

## Ambient conditions

---

Ambient temperature	
- Min. environmental temperature	-30
- Max. environmental temperature	+90
Protection class	IP65 to IEC/EN 60529

## Electrical data

---

Design of control element	Normally open contact (NO), Opener (NC)
- Change-over contact with double break	
- galvanically separated contact bridges	
Switching principle	Snap switch element
Number of shutters	1
Number of openers	1
Rated impulse withstand voltage $U_{imp}$	4 kV
Rated insulation voltage $U_i$	250 V
Thermal test current $I_{the}$	6 A
Utilisation category	AC-15: 230 V / 2,5 A
Max. fuse rating	6 A gG D-fuse

## Dimensions

---

Dimensions of the sensor	
- Width of sensor	40
- Height of sensor	113.5
- Length of sensor	40
Roller wide	8.5
Roller diameter	18

## notice

notice

Actuation from the right should be avoided, since this reduces the mechanical life of the position switch.

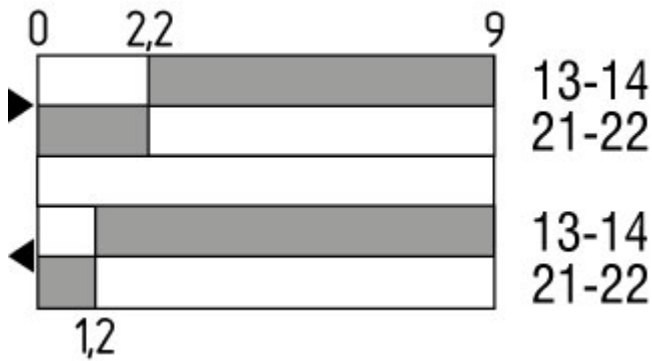
## Diagram



Note Diagram

- positive break NC contact
- active
- no active
- Normally-open contact
- Normally-closed contact

## Switch travel diagram



Notes Switch travel diagram

- Contact closed
- Contact open
- Setting range
- Break point
- Positive opening sequence/- angle
- VS** adjustable range of NO contact
- VÖ** adjustable range of NC contact
- N** after travel

## Ordering suffix

The applicable ordering suffix is added at the end of the part number of the safety switch.

Order example: MK 330-11Y**Au-Ni**

...**Au-Ni**

Gold-nickel contact tips for low DC voltages

...**-RMS**

Available with metal roller

## Ordering code

M(1) 330-11Y-(2)-(3)

(1)

S	Plunger S
2S	Telescopic plunger 2S
R	Roller plunger R
K	Offset roller lever K
3K	Angle roller lever 3K
3S	Side plunger 3S
3R	Side roller plunger 3R
AF	Spring rod lever AF
4D	Forked roller lever 4D
8H	Roller lever 8H
7H	Roller lever 7H
10H	Rod lever 10H
H	Roller lever H
4H	Spring rod lever on shaft 4H
2H	Leaf-spring lever 2H
3H	Roller lever 3H
9H	Rod lever 9H
6H	Leaf-spring lever 6H

(2)

*without*

without LED switching conditions display

**G24**

with LED switching conditions display

(3)

**Ni** Contacts in Gold-nickel alloy

**1164** Splined shaft and lever available with 10° toothing

**1366** For temperatures up to +160°C

## Documents

---

**Operating instructions** (pl) 152 kB, 07.08.2018

Code: mrlk\_m330\_pl

**Operating instructions** (de) 120 kB, 07.08.2018

Code: mrlk\_m330\_de

**Operating instructions** (nl) 122 kB, 07.08.2018

Code: mrlk\_m330\_nl

**Operating instructions** (fr) 122 kB, 07.08.2018

Code: mrlk\_m330\_fr

**Operating instructions** (pt) 121 kB, 07.08.2018

Code: mrlk\_m330\_pt

**Operating instructions** (en) 119 kB, 07.08.2018

Code: mrlk\_m330\_en

**Operating instructions** (it) 120 kB, 07.08.2018

Code: mrlk\_m330\_it

**Operating instructions** (es) 120 kB, 07.08.2018

Code: mrlk\_m330\_es

**Declaration of conformity** (en) 86 kB, 21.12.2016

Code: konfi\_mrl\_m330\_en

**Declaration of conformity** (de) 97 kB, 17.11.2016

Code: konfi\_mrl\_m330\_de

**CCC certification** (en) 808 kB, 02.08.2016

Code: q\_332p01

**CCC certification** (cn) 803 kB, 02.08.2016

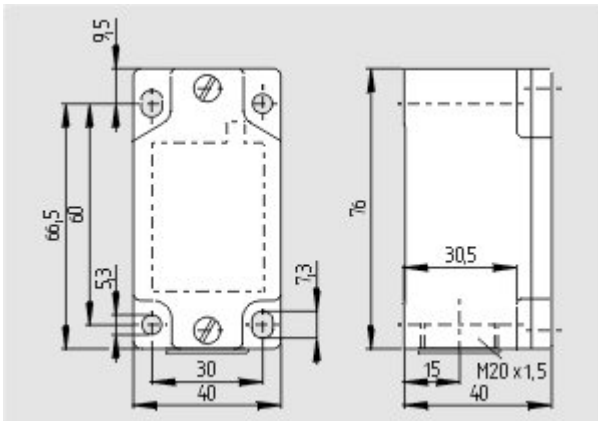
Code: q\_332p02

**EAC certification** (ru) 844 kB, 05.10.2015

Code: q\_6037p17\_ru

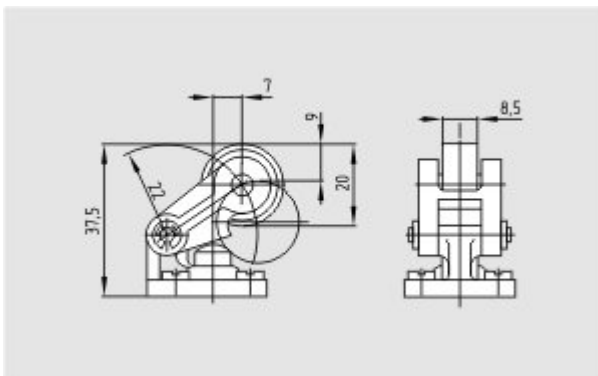
## Images

---



Dimensional drawing (basic component)

---



Dimensional drawing (miscellaneous)

---



Operating principle

---

K.A. Schmersal GmbH & Co. KG, Möddinghofe 30, D-42279 Wuppertal  
The data and values have been checked thoroughly. Technical modifications and errors excepted.  
Generiert am 13.02.2019 - 13:33:28h Kasbase 3.3.0.F.64I