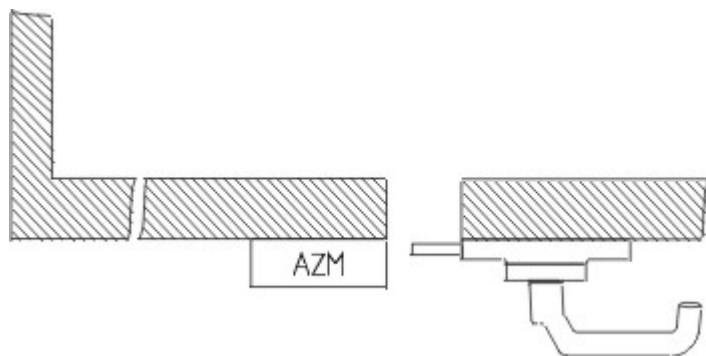


Datasheet - AZM 415-ST30-07

Solenoid interlock / AZM 415 / Door-handle system STS / AZM 415-ST30



- Latching handle
- Suitable for all types of guard
- einsetzbar in Verbindung mit EX-AZM 415

(Minor differences between the printed image and the original product may exist!)

Ordering details

Product type description	AZM 415-ST30-07
Article number	101176899
EAN Code	4030661307299
eCl@ss	27-27-92-16

Global Properties

Permanent light	AZM 415-ST30
Weight	500

Mechanical data

emergency handle (Y/N)	No
Shearing force	30000 N
Actuator mounted	outside
Door hinge	right

notice

The drawings are always shown with a view to the switch.

Included in delivery

Mounting plate for safety switch
Actuator including mounting plate

Documents

Operating instructions and Declaration of conformity (es) 480 kB, 24.09.2018

Code: mrl_az-azm-sts30_es

Operating instructions and Declaration of conformity (it) 480 kB, 24.09.2018

Code: mrl_az-azm-sts30_it

Operating instructions and Declaration of conformity (de) 482 kB, 24.09.2018

Code: mrl_az-azm-sts30_de

Operating instructions and Declaration of conformity (fr) 481 kB, 24.09.2018

Code: mrl_az-azm-sts30_fr

Operating instructions and Declaration of conformity (cn) 571 kB, 24.09.2018

Code: mrl_az-azm-sts30_cn

Operating instructions and Declaration of conformity (da) 555 kB, 26.01.2012

Code: mrl_az-azm-sts30_da

Operating instructions and Declaration of conformity (pl) 525 kB, 24.09.2018

Code: mrl_az-azm-sts30_pl

Operating instructions and Declaration of conformity (jp) 576 kB, 24.09.2018

Code: mrl_az-azm-sts30_jp

Operating instructions and Declaration of conformity (pt) 481 kB, 24.09.2018

Code: mrl_az-azm-sts30_pt

Operating instructions and Declaration of conformity (en) 495 kB, 24.09.2018

Code: mrl_az-azm-sts30_en

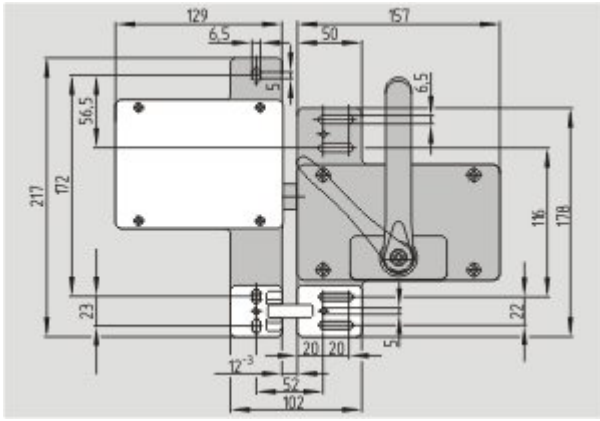
Operating instructions and Declaration of conformity (nl) 480 kB, 24.09.2018

Code: mrl_az-azm-sts30_nl

Images



Product photo



Dimensional drawing (basic component)

K.A. Schmersal GmbH & Co. KG, Mödinghofe 30, D-42279 Wuppertal

The data and values have been checked thoroughly. Technical modifications and errors excepted.

Generiert am 13.02.2019 - 14:48:45h Kasbase 3.3.0.F.64I