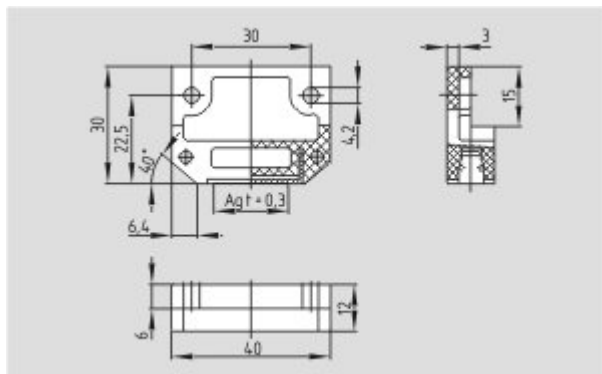


Datasheet - AZ 05 B-1684

Positive-operation door contacts / Actuator

 Preferred typ

- Contact pins in the switch
- for AZ 05x, AZ 05
- mounting flange

(Minor differences between the printed image and the original product may exist!)

Ordering details

Product type description	AZ 05 B-1684
Article number	101089535
EAN Code	4030661029955
eCl@ss	27-27-92-16

Global Properties

Permanent light	Betätiger AZ 05 B-1684
Materials	
- Material of the actuator	Brass with Silver coating
Weight	10
Recommended combinations	AZ 05, AZ 05x

Mechanical data

Design of actuators	straight
---------------------	----------

Dimensions

Dimensions	
- Width	40
- Depth	12
- Length	30

Images

K.A. Schmersal GmbH & Co. KG, Möddinghofe 30, D-42279 Wuppertal

The data and values have been checked thoroughly. Technical modifications and errors excepted.

Generiert am 13.02.2019 - 14:11:48h Kasbase 3.3.0.F.64l