

## Datasheet - BDF 200 AS



AS interface safety at work / Safety switchgear / Control panels and Emergency-Stop button / BDF 200 AS



(Minor differences between the printed image and the original product may exist!)

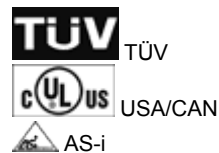
- Thermoplastic enclosure
- slender shock-proof enclosure
- to be fitted to commercial-off-the-shelf aluminium profiles
- to be installed at an ergonomic favourable position
- large range of illuminated pushbuttons, Selector switches, LED indicator lights, Key-operated selector switches and Emergency-Stop buttons
- Integrated AS-Interface Safety Slave for emergency stop and A/B Slave for command and signalling devices
- Emergency stop, on/off and reset functions available
- Two-layer plastic identification labels can be used (engravements on request)
- AS-Interface M12 connector Optional bottom or above
- Suitable for AS-i Power24

### Ordering details

Product type description	BDF200AS
Article number	BDF200AS
notice	<b>see ordering code</b>
eCl@ss	

### Approval

Approval



### Classification

Standards	EN ISO 13849-1, IEC 61508
PL	up e
Control category	up 4
PFH value	1.4 x 10 <sup>-8</sup> /h
- notice	up to max. 5.000 switching cycles/year
SIL	up 3
Mission time	20 Years

## Global Properties

---

Permanent light	BDF200AS
Standards	EN 60947-5-1, EN ISO 13850, EN ISO 13849-1, IEC 61508, EN 50295 to DIN EN 60068
Climatic stress	
Material of the housings	Plastic, glass-fibre reinforced thermoplastic, self-extinguishing
Positions used	
- Position 1	Command device (see ordering code)
- Position 2	Command and signalling devices (see ordering code)
- Position 3	Command and signalling devices (see ordering code)
- Position 4	Command and signalling devices (see ordering code)
Response time	< 100


## Mechanical data

---

Cable entry	1x M12
Mechanical life	
- Emergency-Stop button	100.000 operations
- Command devices	1.000.000 operations
resistance to shock	15 g / 11 ms
Resistance to vibration	10 ... 150 HZ, Amplitude 0,35 mm / 5 g

## Ambient conditions

---

Ambient temperature	
- Min. environmental temperature	-25
- Max. environmental temperature	+65
Storage and transport temperature	
- Min. Storage and transport temperature	-25
- Max. Storage and transport temperature	+85
Protection class	IP65
Protection rating	II, Double-insulated 
Air clearances and creepage distances To IEC/EN 60664-1	
- Rated impulse withstand voltage $U_{imp}$	800 V
- Rated insulation voltage $U_i$	32 VDC
- Overvoltage category	III
- Degree of pollution	3

## Electrical data - AS interface

---

AS-i Supply voltage	18 ... 31.6 VDC, Protection against polarity reversal
- Min. supply voltage	18
- Max. supply voltage	31.6
AS-i operating current	≤ 150
- AS electronics	
- Total	
AS-i Device insulation	internally short-circuit proof
<b>AS-i Specification</b>	<b>Safety Slave</b>
- version	V 3.0
- Profile	S-7.B.F.F
AS-i Inputs	
- Channel 1	Data bits DI 0/DI 1= dynamic code transmission
- Channel 2	Data bits DI 2/DI 3= dynamic code transmission
AS-i Outputs	

- DO 0	Indicator lamp G24 red
- DO 1	Indicator lamp G24 green
- DO 2	not used
- DO 3	not used
AS-i Parameter bits	P0 ... P3 not used
<b>AS-i Specification</b>	<b>A/B slave</b>
- version	V 3.0
- Profile	S-7.A.7.F
AS-i Inputs	
- DI 0	Command device Position 4
- DI 1	Command device Position 3
- DI 2	Command device Position 2
- DI 3	Command device Position 2
AS-i Outputs	
- DO 0	Illuminated signal Position 4
- DO 1	Illuminated signal Position 3
- DO 2	Illuminated signal Position 2
- DO 3	not used
AS-i Parameter bits	P0 ... P3 not used
P0	not used
P1	not used
P2	not used
P3	not used
AS-i input module address	0
- Default on address 0, programmable via the AS-Interface Master or Hand-held programming device	
notice	Both AS-i slaves can be enabled and disabled through the integrated DIP switch. The addressing must take place via the M12 connector.

## LED switching conditions display

---

LED switching conditions display (Y/N)	No
--	----

## Dimensions

---

Dimensions	
- Width	40 mm
- Height	69 mm
- Depth	233.5 ... 252.5 mm (without and with Indicator lamp)

## Pin assignment

---

1	AS interface +
2	None
3	AS interface -
4	None

## Ordering code

---

BDF 200-(1)-AS-(2)-(3)-(4)-(5)-(6)

(1)

ST1

ST2

(2)

NH

connector plug M12, bottom

connector plug M12, above

**Position 1 - Command devices**

Emergency stop latching pushbutton without Protective collar

NHK	Emergency stop latching pushbutton with Protective collar
<b>(3)</b>	<b>Position 2 - Command and signalling devices</b>
WS 2/3	Selector switch, 2/3 switch position
WT 2/3	Selector switch, 2/3 switch position
SW 20	Key switch / - key button, 2 switch position
LT..	Illuminated pushbutton (Selection Color)
LM..	Illuminated signal (Selection Color)
DT..	Push button (Selection Color)
<b>(4)</b>	<b>Position 3 - Command and signalling devices</b>
LT..	Illuminated pushbutton (Selection Color)
LM..	Illuminated signal (Selection Color)
DT..	Push button (Selection Color)
<b>(5)</b>	<b>Position 4 - Command and signalling devices</b>
LT..	Illuminated pushbutton (Selection Color)
LM..	Illuminated signal (Selection Color)
DT..	Push button (Selection Color)
<b>(6)</b>	
<i>without</i>	without Indicator lamp G24
<b>G24</b>	with Indicator lamp G24

## Documents

---

**Operating instructions and Declaration of conformity** (nl) 822 kB, 29.11.2018

Code: mrl\_bdf200as\_nl

**Operating instructions and Declaration of conformity** (fr) 831 kB, 29.11.2018

Code: mrl\_bdf200as\_fr

**Operating instructions and Declaration of conformity** (it) 813 kB, 26.06.2017

Code: mrl\_bdf200as\_it

**Operating instructions and Declaration of conformity** (en) 824 kB, 05.11.2018

Code: mrl\_bdf200as\_en

**Operating instructions and Declaration of conformity** (de) 792 kB, 05.11.2018

Code: mrl\_bdf200as\_de

**Operating instructions and Declaration of conformity** (jp) 853 kB, 15.09.2014

Code: mrl\_bdf200as\_jp

**Operating instructions and Declaration of conformity** (pl) 829 kB, 17.03.2017

Code: mrl\_bdf200as\_pl

**Operating instructions and Declaration of conformity** (pt) 828 kB, 05.12.2018

Code: mrl\_bdf200as\_pt

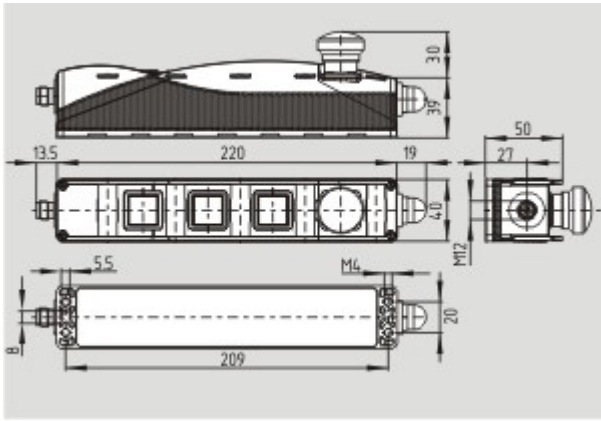
**Operating instructions and Declaration of conformity** (es) 833 kB, 29.11.2018

Code: mrl\_bdf200as\_es

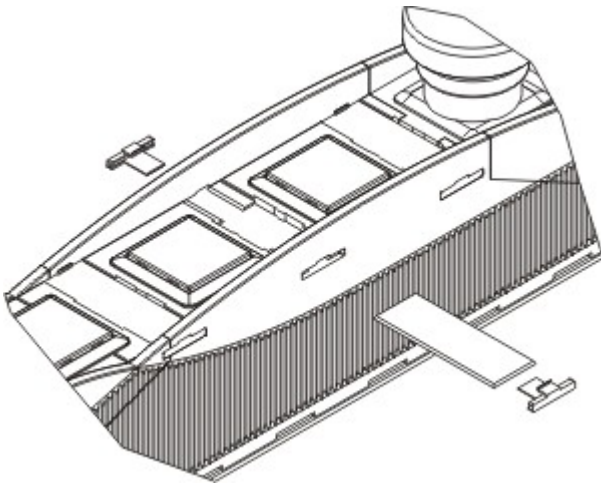
**TÜV certification** (de) 401 kB, 20.01.2017

Code: z\_bdfp01

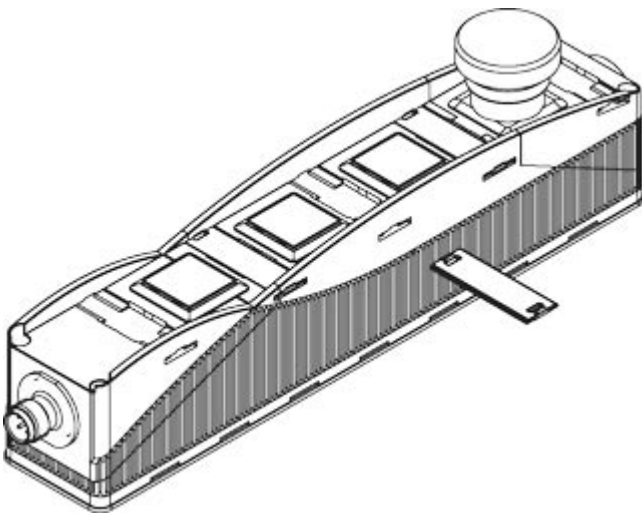
## Images



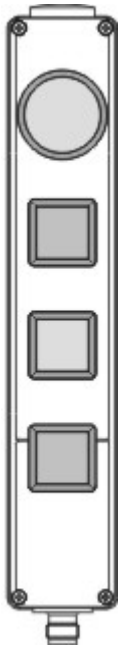
Dimensional drawing (basic component)



Application



Application



Clipart

---

## System components

---

### Control elements



#### NHK

- Emergency stop latching pushbutton
- mushroom-shaped plastic pushbutton, Ø 30 mm
- Pull to reset
- with Protective collar



#### Illuminated pushbutton / LT

- **Illuminated signal**
- with concave button
- Touch surface 19 x 19
- Lamp replacement at the front
- 5 different colours available



#### Illuminated signal / LM

- **Illuminated signal**
- with concave illuminated surface
- Illuminated surface 19 x 19
- Lamp replacement at the front
- 5 different colours available
- LED replacement at the front



#### Push button / DT

- Push button
- with concave button
- Touch surface 19 x 19
- 1 Normally open contact (NO)
- 7 different colours available

---

#### Selector switch / Selector switch W0

- Selector switch / Selector switch



- Version with default knob



**Key - Selector switch / Selector switch SW20**

- Key - Selector switch / Selector switch
- Version with high-grade cylinder lock therefore here also IP65

---

K.A. Schmersal GmbH & Co. KG, Möddinghofe 30, D-42279 Wuppertal

The data and values have been checked thoroughly. Technical modifications and errors excepted.

Generiert am 13.02.2019 - 12:39:04h Kasbase 3.3.0.F.64l