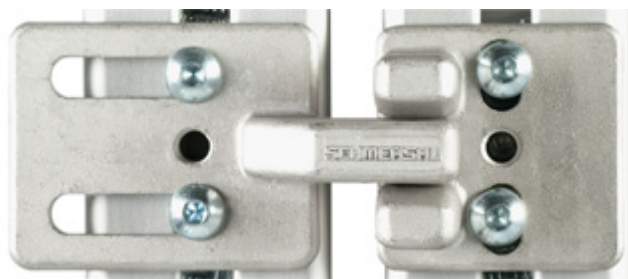


## Datasheet - TFA-010

Solenoid interlock / AZM 415 / Door-handle system STS / Accessories / Centring device



(Minor differences between the printed image and the original product may exist!)

- Pre-positioning
- The actuator is independent from the centring device.
- Smooth insertion or retraction of the actuator

### Ordering details

Product type description	TFA-010
Article number	101166328
EAN Code	4030661293752
eCl@ss	27-27-92-91

### Global Properties

Permanent light	Türfang
Weight	198

### Mechanical data

Mounted	outside
---------	---------

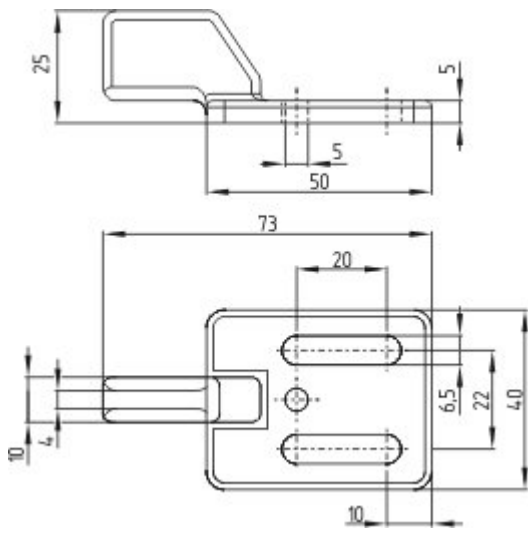
### Dimensions

Dimensions	
- Width	113 mm
- Height	40 mm
- Depth	25 mm

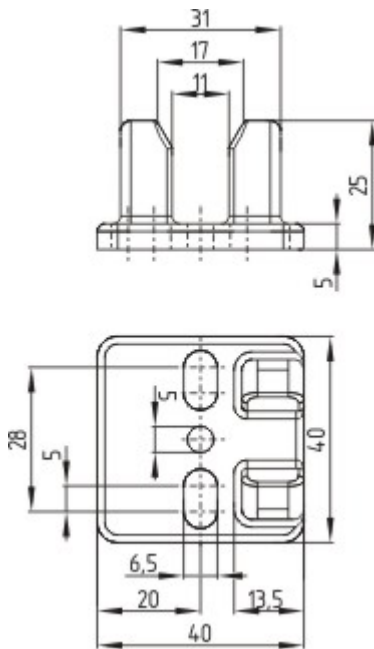
### Keywords

Keywords	Centring device
----------	-----------------

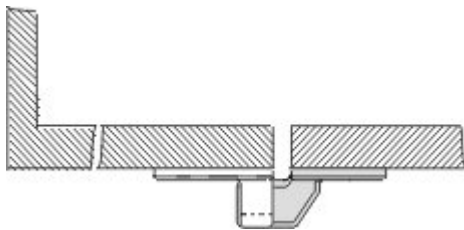
### Images



Dimensional drawing (basic component)



Dimensional drawing (basic component)



Assembly example