

## Datasheet - AZ/AZM 200-B30-RTAG2P1

Solenoid interlock / AZM 200 / Actuator / AZ/AZM 200-B30



(Minor differences between the printed image and the original product may exist!)

- One-hand emergency exit, even in de-energised condition
  - Actuator for hinged guards
  - With door detection sensor T
  - Easy and intuitive operation
  - No risk of injury from protruding actuator
  - No supplementary door handles required
  - Does not protrude into the door opening
  - Various handles available
- Greater mechanical stability

### Ordering details

|                          |                        |
|--------------------------|------------------------|
| Product type description | AZ/AZM 200-B30-RTAG2P1 |
| Article number           | 101181143              |
| EAN Code                 | 4030661315119          |
| eCl@ss                   | 27-27-06-05            |

### Approval

Approval



notice

Certification in combination with the AZ/AZM 200

### Global Properties

|                             |  |
|-----------------------------|--|
| Permanent light             | AZ/AZM 200-B30   |
| Materials                   |  |
| - Material of the housings  | Plastic, glass-fibre reinforced thermoplastic self-extinguishing |
| - Material of the actuator  | zinc die-cast  |
| - Material of the operators | Aluminium, plastic coating                                       |
| - Emergency exit material   | Metal film, plastic-coated                                       |
| Weight                      | 1000   |
| Door detection sensor (Y/N) | Yes  |

### Mechanical data

|                                  |                        |
|----------------------------------|------------------------|
| Mechanical life                  | ≥ 1.000.000 operations |
| Emergency unlocking device (Y/N) | Yes                    |
| Grip                             | Rotating knob/handle   |
| Clamping force F                 | 2000 N                 |
| Actuator mounted                 | outside                |
| Door hinge                       | right                  |

## Dimensions

---

### Dimensions of the actuators

|                          |     |
|--------------------------|-----|
| - Width of the actuator  | 115 |
| - Height of the actuator | 115 |
| - Length of the actuator | 37  |

### Emergency exit dimensions

|                                |     |
|--------------------------------|-----|
| - Width of the emergency exit  | 115 |
| - Height of the emergency exit | 115 |
| - Length of the emergency exit | 60  |

## Included in delivery

---

The safety switch / solenoid interlock and the actuator unit must be ordered separately.

## Keywords

---

Search keys Lockout tag; SZ 200

## Ordering code

---

AZ/AZM 200-B30-(1)T(2)(3)(4)-(5)

(1)

L Door hinge on left-hand side  
R Door hinge on right-hand side

(2)

A for Mounting outside  
I for Mounting inside

(3)

G1 with handle  
G2 with Rotating knob

(4)

P1 with Emergency exit  
P20 with Emergency exit Metal film (*Only for Mounting outside possible*)  
P25 with Emergency exit Inset handle (*Only for Mounting outside possible*)  
P30/P31 with Locking rod (*Only for Mounting outside possible*)

(5)

without without Lockout tag  
SZ with Lockout tag (*Only for Mounting outside possible*)

## Documents

---

**Operating instructions** (nl) 1 MB, 24.09.2018

Code: mrl\_az-azm201-b30\_nl

**Operating instructions** (fr) 1 MB, 24.09.2018

Code: mrl\_az-azm201-b30\_fr

**Operating instructions** (it) 1 MB, 24.09.2018

Code: mrl\_az-azm201-b30\_it

**Operatina instructions** (en) 975 kB. 24.09.2018

Code: mrl\_az-azm201-b30\_en

**Operating instructions** (es) 982 kB, 24.09.2018

Code: mrl\_az-azm201-b30\_es

**Operating instructions** (jp) 1 MB, 24.09.2018

Code: mrl\_az-azm201-b30\_jp

**Operating instructions** (pt) 1 MB, 24.09.2018

Code: mrl\_az-azm201-b30\_pt

**Operating instructions** (cn) 1 MB, 23.11.2018

Code: mrl\_az-azm201-b30\_cn

**Operating instructions** (de) 983 kB, 27.09.2018

Code: mrl\_az-azm201-b30\_de

**Operating instructions** (pl) 1 MB, 24.09.2018

Code: mrl\_az-azm201-b30\_pl

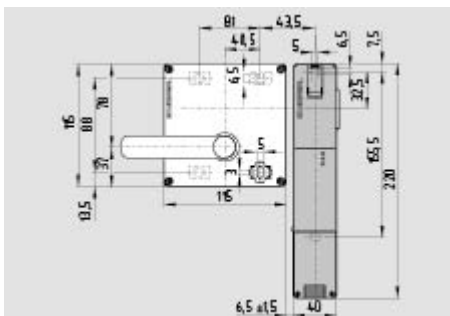
## Images

---



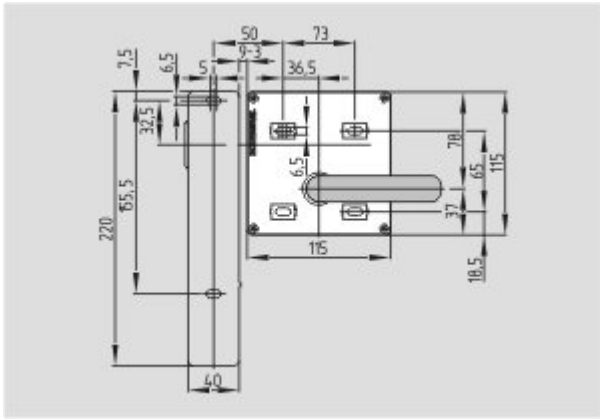
Product photo

---

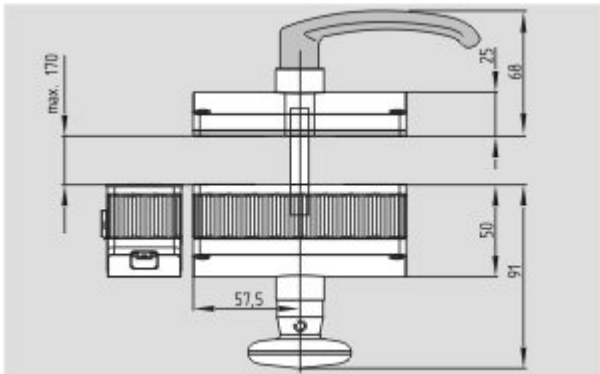


Dimensional drawing (basic component)

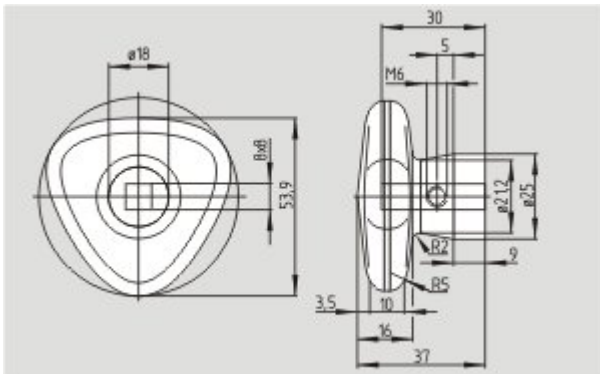
---



Dimensional drawing (basic component)



Dimensional drawing (miscellaneous)



Dimensional drawing (miscellaneous)



Product in the environment

---

## System components

---

### Product



#### AZ 200

- **NOTICE: Available until 2020.12.31 (substitute: AZ201)**
- Thermoplastic enclosure
- Spring pulley connection
- Max. length of the sensor chain 200 m
- Self-monitoring series-wiring of 31 sensors
- 3 LEDs to show operating conditions
- Sensor technology permits an offset between actuator and interlock of  $\pm 5$  mm vertically and  $\pm 3$  mm horizontally
- Intelligent diagnosis



#### AZM 200

- **NOTICE: Available until 2020.12.31 (substitute: AZM201)**
- Thermoplastic enclosure
- Guard locking monitored
- Electronic contact-free, coded system
- Max. length of the sensor chain 200 m
- Self-monitoring series-wiring of 31 sensors
- 3 LEDs to show operating conditions
- Sensor technology permits an offset between actuator and interlock of  $\pm 5$  mm vertically and  $\pm 3$  mm horizontally
- Intelligent diagnosis
- Manual release

---

K.A. Schmersal GmbH & Co. KG, Möddinghofe 30, D-42279 Wuppertal

The data and values have been checked thoroughly. Technical modifications and errors excepted.

Generiert am 13.02.2019 - 14:46:41h Kasbase 3.3.0.F.64I