

## Datasheet - MP BDF 200

Solenoid interlock / AZM 200 / Accessories



(Minor differences between the printed image and the original product may exist!)

### Ordering details

Product type description	MP BDF 200
Article number	101214126
EAN Code	4030661399126
eCl@ss	27-27-92-91

### Global Properties

Product name	Montageplatte
Weight	1230 g
Recommended combinations	(1) AZM 200 / AZM 201 + BDF200 (2) AZ/AZM200-B30-G1/G2 AZ/AZM201-B30-G1/G2

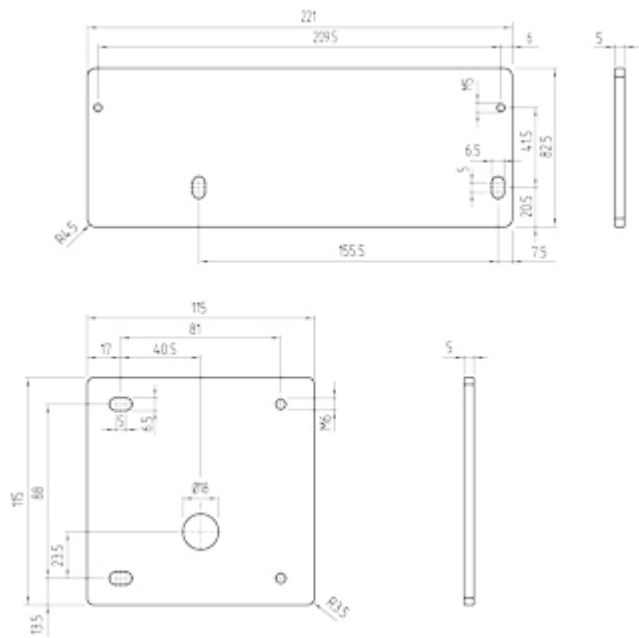
### Dimensions

Dimensions	
- Width	221 mm / 115 mm
- Height	82.5 mm / 115 mm
- Depth	5 mm / 5 mm

### Included in delivery

Included in delivery	2 , 2
----------------------	-------

### Images



Dimensional drawing (miscellaneous)

K.A. Schmersal GmbH & Co. KG, Möddinghofe 30, D-42279 Wuppertal

The data and values have been checked thoroughly. Technical modifications and errors excepted.

Generiert am 13.02.2019 - 14:46:18h Kasbase 3.3.0.F.64I