

## Datasheet - UV2H 432Y-2S



Position switch / medium heavy Position switch / Universal range U - Metal enclosure / U 432 / U 432 Leaf-spring lever 2H



- Metal enclosure
- 2 Contacts
- 62 mm x 80 mm x 50 mm ( basic component)
- Switching points and contact function adjustable
- 3 cable entries M 20 x 1.5
- Actuator head can be repositioned in steps 4 x 90°
- Continuous adjustment of lever position 360°
- Lever can be transposed by 180°
- Epoxy-resin leaf spring

(Minor differences between the printed image and the original product may exist!)

### Ordering details


|                          |              |
|--------------------------|--------------|
| Product type description | UV2H 432Y-2S |
| Article number           | UV2H 432-2S  |
| EAN Code                 |              |
| eCl@ss                   | 27-27-06-01  |

### Approval

Approval



### Global Properties

|  |                                 |
|--|---------------------------------|
| Permanent light  | U 432 Blattfederschwenkhebel 2H |
| Standards  | EN 60947-5-1                    |
| Compliance with the Directives (Y/N)  | Yes                             |
| Suitable for safety functions (Y/N)  | No                              |
| Standard housing (Y/N)   | No                              |
| Materials  |                                 |
| - Material of the housings   | light alloy die-casting         |
| - Lever material   | Epoxy resin                     |
| - Material of the contacts   | Silver                          |
| Housing coating  | painted                         |

|            |     |
|------------|-----|
| Weight     | 470 |
| Slide form |     |

## Mechanical data

---

|  |   |
|--|---|
| Design of electrical connection                              | Screw connection  |
| Cable section  |   |
| - Min. Cable section   | 1.5   |
| - Max. Cable section   | 2.5   |
| AWG-Number   | 13  |
| Active principle   | mechanical  |
| Mechanical life  | 10.000.000 operations   |
| Contact life   | 2.000.000 operations, at 6 A / 400 V, $\cos \varphi = 0,4$                    |
| notice   | All indications about the cable section are including the conductor ferrules. |
| Design of actuating element                                  | Swivel lever  |
| Contact opening  | 2 x 1.5   |
| Actuating speed with vertical actuating angle to switch axis |   |
| - Min. Actuating speed                                       | 1   |
| - Max. Actuating speed                                       | 3   |
| - Actuating angle from left of switch axis                   | 30  |
| - Actuating angle from right of switch axis                  | 30  |

## Ambient conditions

---

|                                  |                      |
|----------------------------------|----------------------|
| Ambient temperature              |                      |
| - Min. environmental temperature | -20                  |
| - Max. environmental temperature | +60                  |
| Protection class                 | IP65 to IEC/EN 60529 |

## Electrical data

---

|                                |                            |
|--------------------------------|----------------------------|
| Design of control element      | Normally open contact (NO) |
| Switching principle            | Creep circuit element      |
| Number of shutters             | 2                          |
| Number of openers              | 0                          |
| Rated insulation voltage $U_i$ | 500 V                      |
| Thermal test current $I_{the}$ | 16 A                       |
| Max. fuse rating               | 16 A gG D-fuse             |

## Dimensions

---

|                          |     |
|--------------------------|-----|
| Dimensions of the sensor |     |
| - Width of sensor        | 62  |
| - Height of sensor       | 409 |
| - Length of sensor       | 50  |
| Leaf spring thick        | 2.5 |

## notice

---

Type of contact and switching points can be factory set to order.

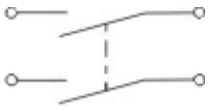
## Indication legend

---






see drawing: Operating principle

Contact function, i. e. NC or NO contact, and switching points can be adjusted using a screwdriver

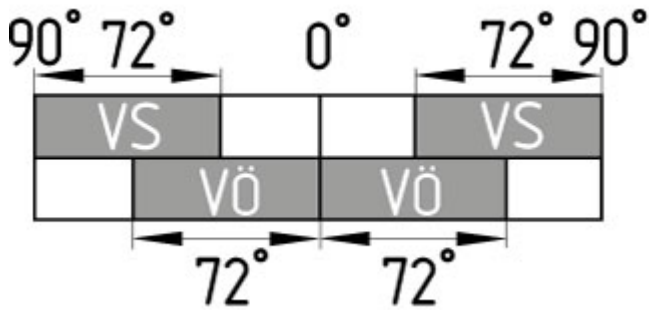
## Diagram








Note Diagram

-  positive break NC contact
-  active
-  no active
-  Normally-open contact
-  Normally-closed contact

## Switch travel diagram



Notes Switch travel diagram

-  Contact closed
-  Contact open
-  Setting range
-  Break point
-  Positive opening sequence/- angle
- VS** adjustable range of NO contact
- VÖ** adjustable range of NC contact
- N** after travel

## Ordering suffix

The applicable ordering suffix is added at the end of the part number of the safety switch.

Order example: UV2H 432Y-2S- 1272

...- 1272

Version for low temperatures to -30°C

## Ordering code

U(1) 432Y-(2)-(3)

(1)

- |           |                       |
|-----------|-----------------------|
| <b>S</b>  | Plunger S             |
| <b>K</b>  | Offset roller lever K |
| <b>8H</b> | Roller lever 8H       |
| <b>H</b>  | Roller lever H        |

|                |  |
|----------------|--|
| <b>3H</b>      | Roller lever 3H                              |
| <b>7H</b>      | Roller lever 7H                              |
| <b>4H</b>      | Spring rod lever on shaft 4H                 |
| <b>9H</b>      | Rod lever 9H                                 |
| <b>10H</b>     | Rod lever 10H                                |
| <b>2H</b>      | Leaf-spring lever 2H                         |
| <b>6H</b>      | Leaf-spring lever 6H                         |
| <b>(2)</b>     |  |
| <i>without</i> | 2 Opener (NC)                                |
| <b>2S</b>      | 2 Normally open contact (NO)                 |
| <b>1S/1OE</b>  | 1 Normally open contact (NO) / 1 Opener (NC) |
| <b>(3)</b>     |  |
| <b>1272</b>    | Version for low temperatures to -30°C        |

## Documents

---

**Operating instructions and Declaration of conformity (nl)** 95 kB, 20.07.2018

Code: mrlk\_posi-allgemein\_nl

**Operating instructions and Declaration of conformity (ru)** 133 kB, 09.07.2018

Code: mrlk\_posi-allgemein\_ru

**Operating instructions and Declaration of conformity (es)** 88 kB, 09.07.2018

Code: mrlk\_posi-allgemein\_es

**Operating instructions and Declaration of conformity (en)** 86 kB, 09.07.2018

Code: mrlk\_posi-allgemein\_en

**Operating instructions and Declaration of conformity (cn)** 138 kB, 09.07.2018

Code: mrlk\_posi-allgemein\_cn

**Operating instructions and Declaration of conformity (it)** 86 kB, 09.07.2018

Code: mrlk\_posi-allgemein\_it

**Operating instructions and Declaration of conformity (jp)** 285 kB, 09.07.2018

Code: mrlk\_posi-allgemein\_jp

**Operating instructions and Declaration of conformity (pl)** 118 kB, 09.07.2018

Code: mrlk\_posi-allgemein\_pl

**Operating instructions and Declaration of conformity (fr)** 85 kB, 09.07.2018

Code: mrlk\_posi-allgemein\_fr

**Operating instructions and Declaration of conformity (pt)** 86 kB, 09.07.2018

Code: mrlk\_posi-allgemein\_pt

**Operating instructions and Declaration of conformity (de)** 88 kB, 09.07.2018

Code: mrlk\_posi-allgemein\_de

**Operating instructions (pl)** 369 kB, 30.11.2018

Code: mrlk\_u431-u434\_pl

**Operating instructions (en)** 352 kB, 06.08.2018

Code: mrlk\_u431-u434\_en

**Operating instructions** (es) 350 kB, 08.08.2018

Code: mrlk\_u431-u434\_es

**Operating instructions** (nl) 365 kB, 12.11.2018

Code: mrlk\_u431-u434\_nl

**Mounting and wiring instructions** (de, en, fr) 209 kB, 17.03.2008

Code: m\_43sp01

**Operating instructions** (de) 348 kB, 06.08.2018

Code: mrlk\_u431-u434\_de

**Operating instructions** (pt) 350 kB, 23.08.2018

Code: mrlk\_u431-u434\_pt

**Declaration of conformity** (en) 158 kB, 07.11.2017

Code: konfi\_mrl\_u43\_en

**Declaration of conformity** (de) 128 kB, 07.11.2017

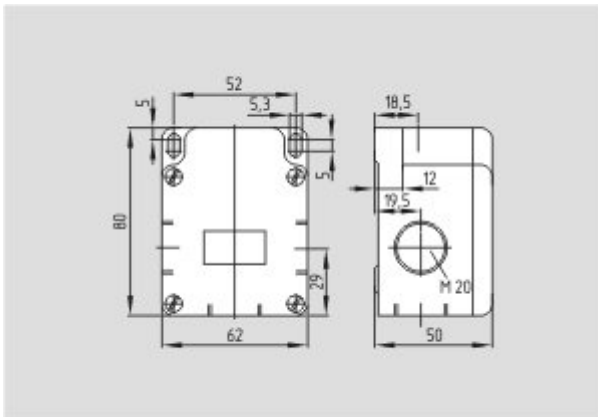
Code: konfi\_mrl\_u43\_de

**EAC certification** (ru) 388 kB, 20.01.2016

Code: q\_1527p17\_ru

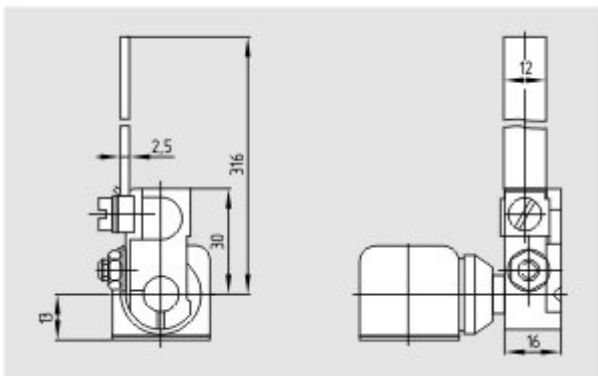
## Images

---



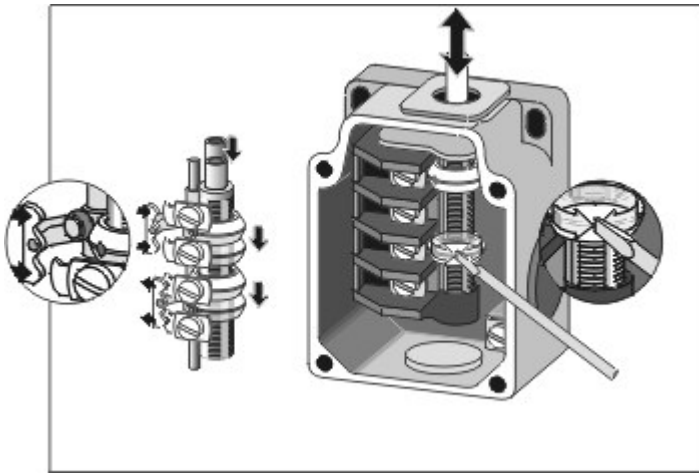
Dimensional drawing (basic component)

---



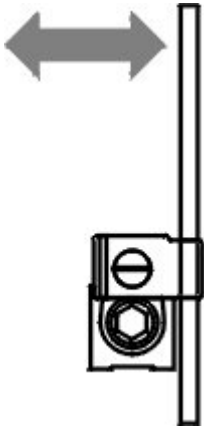
Dimensional drawing (miscellaneous)

---



Operating principle

---



Operating principle

---