

## Datasheet - AZM 161-B1-2053 WITH BALL LATCH

Solenoid interlock / AZM 161 / Actuator



Preferred typ



(Minor differences between the printed image and the original product may exist!)

### Ordering details

|                          |                                  |
|--------------------------|----------------------------------|
| Product type description | AZM 161-B1-2053 MIT KUGELRASTUNG |
| Article number           | 101173089                        |
| EAN Code                 | 4030661302041                    |
| eCl@ss                   | 27-27-92-16                      |

### Global Properties

|                 |  |
|-----------------|--|
| Permanent light | Gerader Betätiger B1-2053 mit Kugelrastung |
| Weight          | 25   |

### Mechanical data

|                          |          |
|--------------------------|----------|
| Design of actuators      | straight |
| Minimum actuating radius | 150 mm   |

### notice

On hinged guards, minimum actuating radius at 90° to the plane of the actuator 180 mm  
minimum actuating radius on hinged guards in line with the plane of the actuator 150 mm

### Documents

**Operating instructions** (fr) 120 kB, 05.06.2018

Code: mrl\_azm161-betaetiger\_fr

**Operating instructions** (en) 118 kB, 04.05.2018

Code: mrl\_azm161-betaetiger\_en

**Operating instructions** (pt) 173 kB, 25.05.2018

Code: mrl\_azm161-betaetiger\_pt

**Operating instructions** (de) 110 kB, 04.05.2018

Code: mrl\_azm161-betaetiger\_de

**Operating instructions** (es) 121 kB, 05.06.2018

Code: mrl\_azm161-betaetiger\_es

**Operating instructions** (nl) 126 kB, 23.07.2018

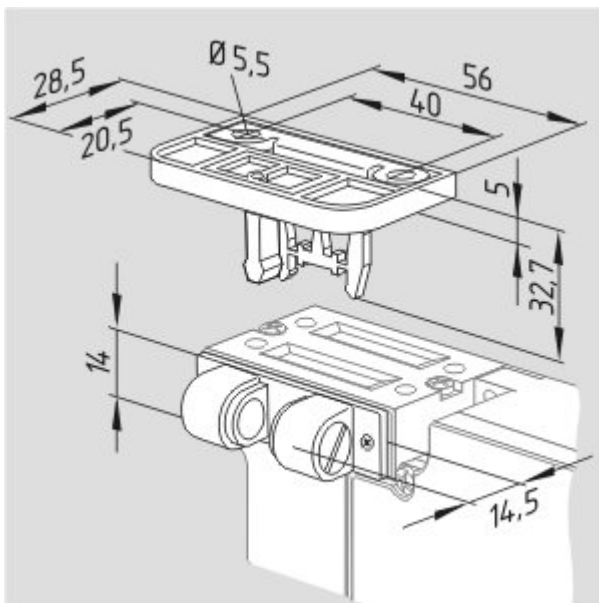
Code: mrl\_azm161-betaetiger\_nl

**Operating instructions** (pl) 165 kB, 13.08.2018

Code: mrl\_azm161-betaetiger\_pl

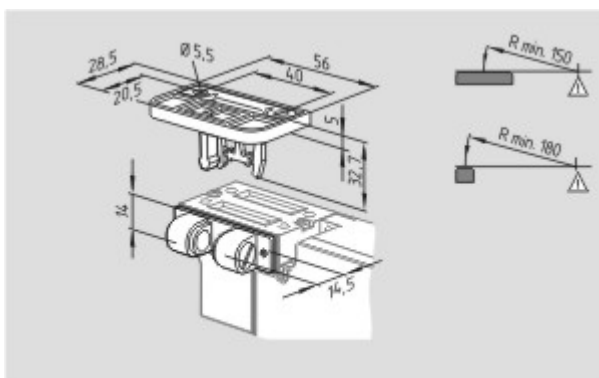
## Images

---



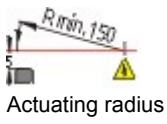
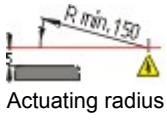
Dimensional drawing (miscellaneous)

---



Dimensional drawing (miscellaneous)

---



K.A. Schmersal GmbH & Co. KG, Möddinghofe 30, D-42279 Wuppertal  
The data and values have been checked thoroughly. Technical modifications and errors excepted.  
Generiert am 13.02.2019 - 14:41:59h Kasbase 3.3.0.F.64I