

## Datasheet - AZ/AZM 200-B40-RTAG2P1

Solenoid interlock / AZM 200 / Actuator / AZ/AZM 200-B40



(Minor differences between the printed image and the original product may exist!)

- One-hand emergency exit, even in de-energised condition
- Actuator for hinged and movable safety guards, especially for hinged doors with overlapping hinge
- With door detection sensor T
- Easy and intuitive operation
- No risk of injury from protruding actuator
- No supplementary door handles required
- Does not protrude into the door opening
- Various handles available
- Can be fitted with or without emergency exit

### Ordering details

Product type description	AZ/AZM 200-B40-RTAG2P1
Article number	101216399
EAN Code	4030661407166
eCl@ss	27-27-06-05

### Approval

Approval



notice

Certification in combination with the AZ/AZM 200

### Global Properties

Permanent light	AZ/AZM 200-B40
Materials	
- Material of the housings	Plastic, glass-fibre reinforced thermoplastic self-extinguishing
- Material of the actuator	zinc die-cast
- Material of the operators	Aluminium, plastic coating
- Emergency exit material	Metal film, plastic-coated
Weight	1440
Door detection sensor (Y/N)	Yes

### Mechanical data

Mechanical life	≥ 1.000.000 operations
Emergency unlocking device (Y/N)	Yes
Grip	Rotating knob/handle
Clamping force	2000
Actuator mounted	outside
Door hinge	right

## Dimensions

---

### Dimensions of the actuators

- Width of the actuator	230
- Height of the actuator	115
- Length of the actuator	37

### Emergency exit dimensions

- Width of the emergency exit	115
- Height of the emergency exit	115
- Length of the emergency exit	60

## Included in delivery

---

The safety switch / solenoid interlock and the actuator unit must be ordered separately.

## Ordering code

---

AZ/AZM 200-B40-(1)TA(2)(3)

<b>(1)</b>	
<b>L</b>	Door hinge on left-hand side
<b>R</b>	Door hinge on right-hand side
<b>(2)</b>	
<b>G1</b>	with handle
<b>G2</b>	with Rotating knob
<b>(3)</b>	
<i>without</i>	without Emergency exit
<b>P1</b>	with Emergency exit
<b>P20</b>	with Emergency exit Metal film
<b>P25</b>	with Emergency exit Inset handle

## Documents

---

**Operating instructions and Declaration of conformity** (pt) 1 MB, 22.01.2018

Code: mrl\_az-azm201-b40\_pt

**Operating instructions and Declaration of conformity** (fr) 1 MB, 24.11.2017

Code: mrl\_az-azm201-b40\_fr

**Operating instructions and Declaration of conformity** (de) 999 kB, 10.11.2017

Code: mrl\_az-azm201-b40\_de

**Operating instructions and Declaration of conformity** (it) 1 MB, 03.01.2018

Code: mrl\_az-azm201-b40\_it

**Operating instructions and Declaration of conformity** (pl) 1 MB, 23.03.2018

Code: mrl\_az-azm201-b40\_pl

**Operating instructions and Declaration of conformity** (en) 1 MB, 10.11.2017

Code: mrl\_az-azm201-b40\_en

**Operating instructions and Declaration of conformity** (nl) 1 MB, 02.08.2018

Code: mrl\_az-azm201-b40\_nl

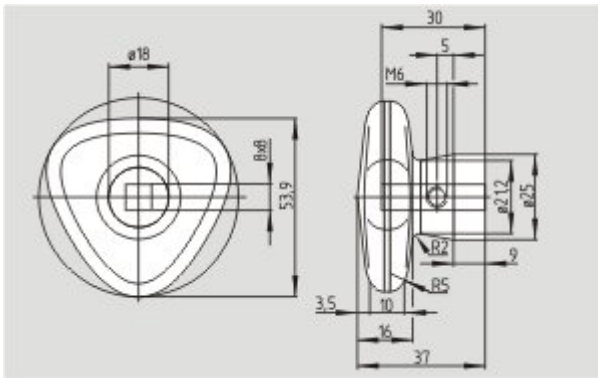
## Images

---



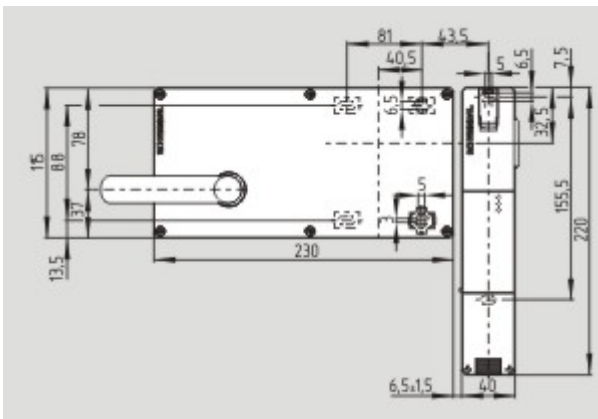
Product photo

---



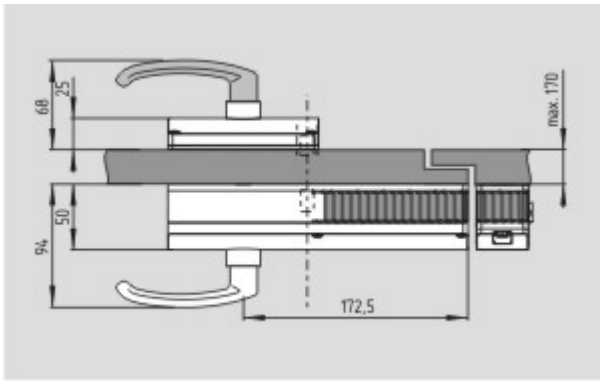
Dimensional drawing (miscellaneous)

---



Dimensional drawing (miscellaneous)

---



Dimensional drawing (miscellaneous)

---

K.A. Schmersal GmbH & Co. KG, Möddinghofe 30, D-42279 Wuppertal

The data and values have been checked thoroughly. Technical modifications and errors excepted.

Generiert am 13.02.2019 - 14:47:01h Kasbase 3.3.0.F.64I