

Datasheet - PS216-Z12-K250



Position switch / PS216 Thermoplastic enclosure - EN 50047 with Actuator / PS216 Angle roller lever K250



- thermoplastic enclosure with foldable latching cover
- Quick connection technology as connection terminals rotated by 45°
- Simple and quick to adjust the control elements by 45°.
- cable entry 1 x M20 x 1,5
- Design to EN 50047

(Minor differences between the printed image and the original product may exist!)

Ordering details

| | |
|--------------------------|----------------|
| Product type description | PS216-Z12-K250 |
| Article number | 103015016 |
| EAN Code | 4030661501901 |
| eCl@ss | 27-27-06-01 |

Approval

Approval



Classification

| | |
|-----------------------------------|--|
| Standards | ISO 13849-1 |
| B10d Normally-closed contact (NC) | 20.000.000 |
| Mission time | 20 Years |
| notice | $MTTF_d = \frac{B_{10d}}{0,1 \times n_{op}}$ $n_{op} = \frac{d_{op} \times h_{op} \times 3600 \text{ s/h}}{t_{cycle}}$ |

Global Properties

| | |
|--------------------------------------|------------------------------------|
| Permanent light | PS216 with Angle roller lever K250 |
| Standards | IEC 60947-5-1 |
| Compliance with the Directives (Y/N) | Yes |
| Suitable for safety functions (Y/N) | Yes |
| Actuator type | |
| Materials | |
| - Material of the housings | Plastic, glass-fiber-reinforced |
| - Material of the contacts | Silver |
| Housing coating | None |
| Housing construction form | Norm construction design |
| Weight | 65 g |

Mechanical data

| | |
|--|-------------------------|
| Design of electrical connection | Screw connection |
| Cable section | |
| - Min. Cable section | 0,34 mm ² |
| - Max. Cable section | 1.5 mm ² |
| Mechanical life | 10.000.000 operations |
| Switching frequency | max. 5000 /h |
| Design of actuating element | Angle roller lever K250 |
| Positive break force | > 40 N |
| Actuating speed for vertical actuation | |
| - Min. Actuating speed | 10 mm/min |
| - Max. Actuating speed | 1 m/s |

Ambient conditions

| | |
|----------------------------------|------------|
| Ambient temperature | |
| - Min. environmental temperature | -30 °C |
| - Max. environmental temperature | +80 °C |
| Protection class | IP66, IP67 |

Electrical data

| | |
|---|---|
| Design of control element | 1 Normally open contact (NO), 2 Opener (NC) |
| Switching principle | Snap switch element |
| - positive break NC contact | |
| Number of auxiliary contacts | 1 piece |
| Number of safety contacts | 2 piece |
| Rated impulse withstand voltage U_{imp} | 4 kV |
| Rated insulation voltage U_i | 300 V |
| Thermal test current I_{the} | 5 A |
| Utilisation category | AC-15: 240 V / 3 A, DC-13: 24 V / 3 A |
| Required rated short-circuit current | 400 A |
| Max. fuse rating | 6 A gG D-fuse |

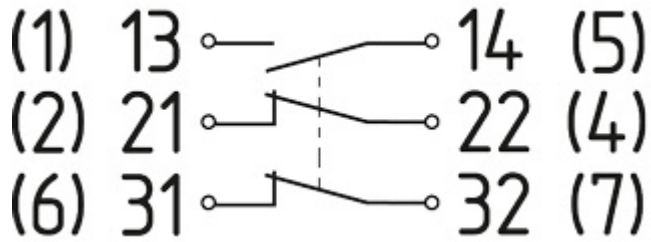
Dimensions

| | |
|--------------------------|--------|
| Dimensions of the sensor | |
| - Width of sensor | 31 mm |
| - Height of sensor | 107 mm |

- Length of sensor

32.5 mm

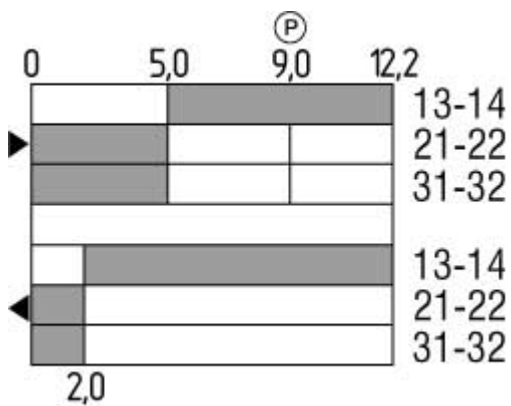
Diagram



Note Diagram

- positive break NC contact
- active
- no active
- Normally-open contact
- Normally-closed contact

Switch travel diagram



Notes Switch travel diagram

- Contact closed
 - Contact open
 - Setting range
 - Break point
 - Positive opening sequence/- angle
- VS** adjustable range of NO contact
VÖ adjustable range of NC contact
N after travel

Ordering code

PS2(1)(2)-(3)-(4)-(5)-(6)

(1)

1

2

(2)

5

6

(3)

slim design

large design

Metal enclosure

Thermoplastic enclosure

| | |
|-------|--|
| T02 | Slow action 2 Opener (NC) |
| T02H | Slow action with staggered contacts 2 Opener (NC) |
| T03 | Slow action 3 Opener (NC) |
| T10 | Slow action 1 Normally open contact (NO) |
| T11 | Slow action 1 Normally open contact (NO) / 1 Opener (NC) |
| T11UE | Slow action with overlapping contacts 1 Normally open contact (NO) / 1 Opener (NC) |
| T12 | Slow action 1 Normally open contact (NO) / 2 Opener (NC) |
| T20 | Slow action 2 Normally open contact (NO) |
| T21 | Slow action 2 Normally open contact (NO) / 1 Opener (NC) |
| Z02 | Snap action 2 Opener (NC) |
| Z11 | Snap action 1 Normally open contact (NO) / 1 Opener (NC) |
| Z11R | Snap action 1 Normally open contact (NO) / 1 Opener (NC) with Latching |
| Z12 | Snap action 1 Normally open contact (NO) / 2 Opener (NC) |
| (4) | |
| ST | connector plug M12, bottom |
| STR | connector plug M12, right |
| (5) | |
| S20 | Plunger S200 |
| R20 | Roller plunger R200 |
| K20 | Offset roller lever K200 |
| K21 | Offset roller lever K210 |
| K23 | Angle roller lever K230 |
| K24 | Angle roller lever K240 |
| K25 | Angle roller lever K250 |
| H20 | Roller lever H200 |
| N20 | Roller lever N200 |
| J20 | Rod lever J200 |
| (6) | |
| 0 | Material Castor/Roller: Plastic |
| 1 | Material Castor/Roller: Stainless steel |
| 2 | Material Castor/Roller: Brass |
| 3 | Material Castor/Roller: Aluminium |
| 4 | Material Castor/Roller: Steel |

Documents

Declaration of conformity (en) 88 kB, 22.11.2017

Code: konfi_mrl_ps116_en

Declaration of conformity (de) 87 kB, 22.11.2017

Code: konfi_mrl_ps116_de

CCC certification (cn) 3 MB, 29.08.2017

Code: q_ps2p02

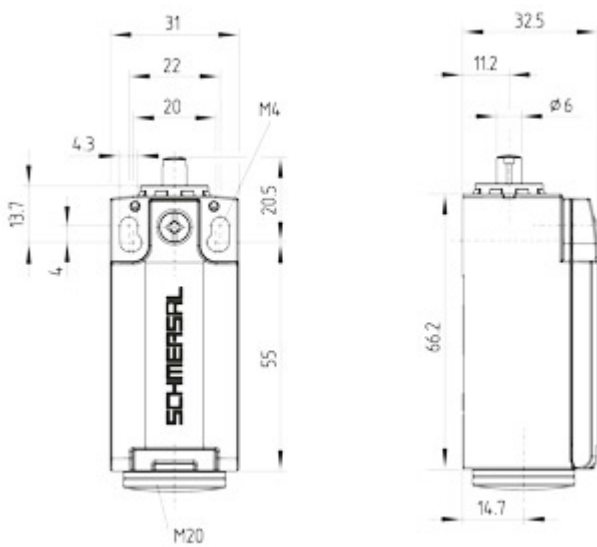
CCC certification (en) 3 MB, 29.08.2017

Code: q_ps2p01

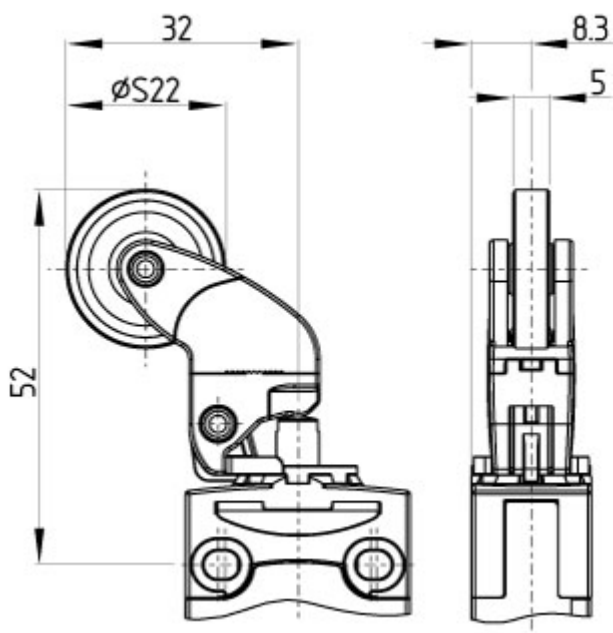
Images



Product photo



Dimensional drawing (basic component)



Dimensional drawing (actuator)

