

Description

- Operation mode and max sensing range:
Thru-beam: 0-35 m
Diffuse proximity: 0-2 m
- 230 V ac, 115 V ac, 24 V ac or 24 V dc supply voltage
- Manual sensitivity adjustment
- Adjustable on/off time delay
- 4 relays and/or 4 transistor individual outputs
- 1 relay and 1 transistor common output
- Switch selectable light or dark function
- Switch selectable long or short range
- Power, output and signal level indicators
- Screw terminals connection



The MPA 41 is a 4-channel, multiplexed photoelectric amplifier, which is to be used in conjunction with 4 sets of remote transmitters LT and receivers LR, from the series 100, 110 and 120.

The 4 channels operate independently of each other with their own set of remote transmitter and receiver. The multiplexing function ensures that optical cross talk between channels is prevented. The series offers a choice between 4 individual relays and/or 4 individual NPN/PNP

transistor outputs, or 1 common relay and 1 common transistor output which features an adjustable 0-10 sec on/off time delay.

This amplifier series offers manual sensitivity adjustment for each individual channel via integral potentiometers located on the front panel of the amplifier. Light or dark function and long or short range are switch selectable for each individual channel.

Technical Data			MPA 41 A	MPA 41 B	MPA 41 C	MPA 41 D	
Supply voltage			24 V dc, 24 V ac, 115 V ac or 230 V ac				
Voltage tolerance			+/- 15 %				
Current consumption			Max. 6,5 VA				
Output	Relay		1 open / 1 close, 250 V ac / 3 A, 120 V ac / 5 A				
	Transistor		40 mA / 30 V dc				
Alarm output			-				
Power on indicator			Green LED				
Output indicator			Red LED				
Signal level indicator			Green LED				
LR sensor failure indicator			-				
LT sensor failure indicator			-				
Sensor monitor LED drive			-				
Hysteresis			Approx. 35 %				
Operation frequency	Relay	Short range	14 Hz		25 Hz		
		Long range	8 Hz		17 Hz		
	Transistor	Short range	20 Hz		50 Hz		
		Long range	10 Hz		25 Hz		
Response time t_{ON} / t_{OFF}	Relay	Short range	35 ms / 35 ms		20 ms / 20 ms		
		Long range	60 ms / 60 ms		30 ms / 30 ms		
	Transistor	Short range	25 ms / 25 ms		10 ms / 10 ms		
		Long range	50 ms / 50 ms		20 ms / 20 ms		
Delay t_{ON} / t_{OFF}			-	0-10 sec, adjustable		-	0-10 sec, adjustable
Housing material			Polycarbonate				

Environmental Data	
Temperature, operation	-10 to +50 °C
Temperature, storage	-40 to +80 °C
Sealing class	IP 30
Approvals	CE, UL, CE

Available Types

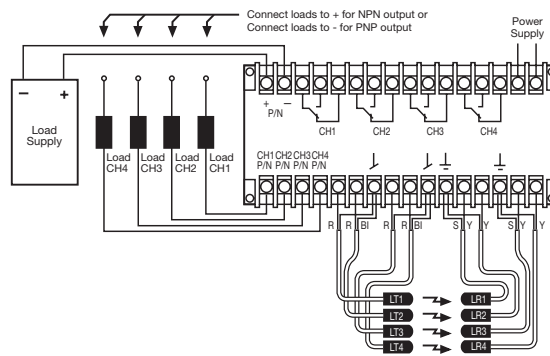
Model	Connection	Time Delay	Supply Voltage	24 V dc	24 V ac	115 V ac	230 V ac
			Output	Order Reference			
MPA 41 A	Screw terminals	-	4 individual NPN/PNP	MPA 41 A 603	MPA 41 A 602	MPA 41 A 601	MPA 41 A 600
			4 individual relays and 4 individual NPN/PNP	MPA 41 A 703	MPA 41 A 702	MPA 41 A 701	MPA 41 A 700
On/Off delay		1 common relay and 1 common NPN/PNP	MPA 41 B 703	MPA 41 B 702	MPA 41 B 701	MPA 41 B 700	
MPA 41 C		-	4 individual NPN/PNP	MPA 41 C 603	MPA 41 C 602	MPA 41 C 601	MPA 41 C 600
			4 individual relays and 4 individual NPN/PNP	MPA 41 C 703	MPA 41 C 702	MPA 41 C 701	MPA 41 C 700
MPA 41 D		On/Off delay	1 common relay and 1 common NPN/PNP	MPA 41 D 703	MPA 41 D 702	MPA 41 D 701	MPA 41 D 700

Note: Remote sensors to be ordered separately.

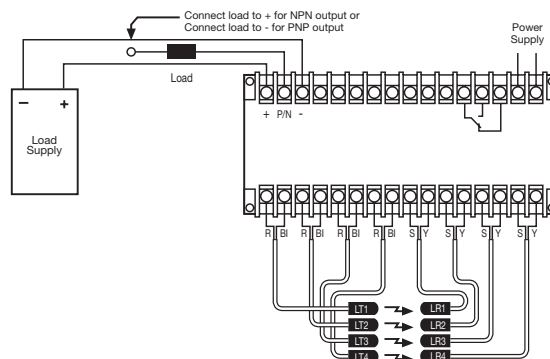
Applicable Remote Sensors and Ranges

Series	Thru-beam		Diffuse Proximity	
	Short range	Long range	Short range	Long range
MPA 41 A/B				
100	4 m	8 m	0,4 m	0,6 m
110	9 m	18 m	0,7 m	1,3 m
120	18 m	35 m	1,3 m	2,0 m
MPA 41 C/D				
100	2 m	4 m	0,2 m	0,4 m
110	5 m	9 m	0,4 m	0,7 m
120	9 m	18 m	0,7 m	1,3 m

Wiring Diagrams

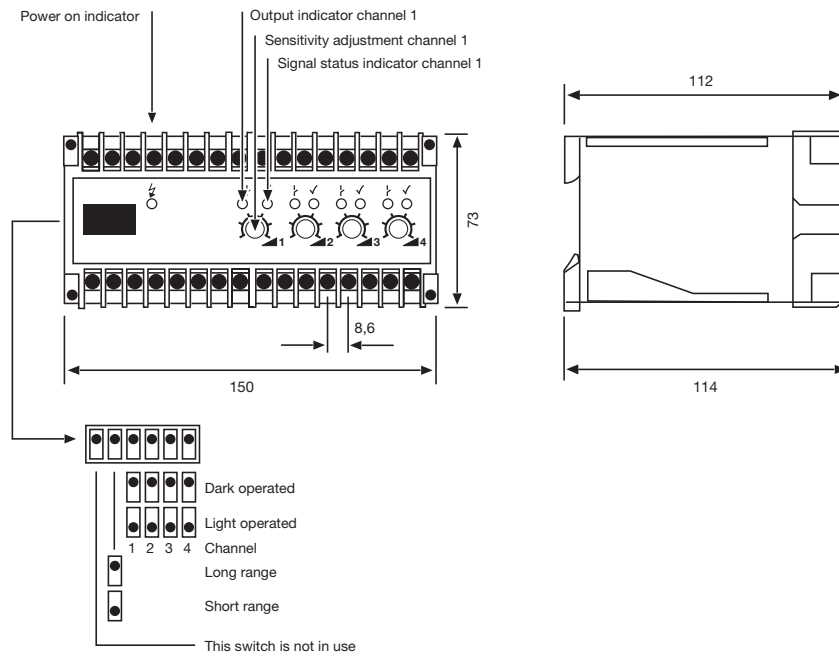


MPA 41 A/C

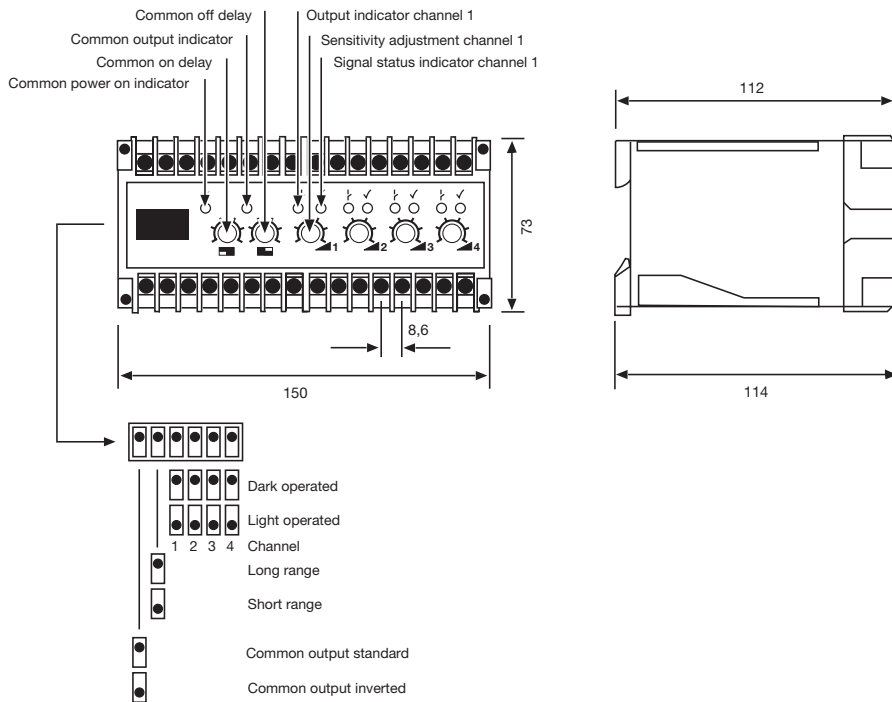


MPA 41 B/D

Dimensions and Descriptions



MPA 41 A/C



MPA 41 B/D

(Units in mm)

Telco reserves the right to change specifications without notice.