

# Connection Cable

## SUB D, 9-pin

# BD9BD9V01-3M

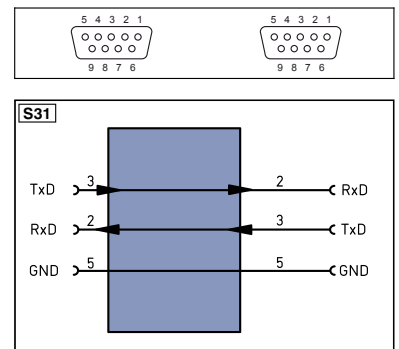
Part Number



## Technical Data

Mechanical Data	
Cable Length	3 m
Diameter Cable	5 mm
Wire cross-section	0,09 mm <sup>2</sup>
Connection Type	Socket, Socket
Version	straight
Temperature Range	0...60 °C
Material Cable Jacket	PVC
Material Wire Isolation	PVC
Packaging unit	1 Piece
Connection Diagram No.	<b>S31</b>
Connection Technology No.	<b>73</b>

- Socket SUB D, 9-pin
- Straight



Legend					
+	Supply Voltage +	PT	Platinum measuring resistor	ENa	Encoder A
-	Supply Voltage 0 V	nc	not connected	ENb	Encoder B
~	Supply Voltage (AC Voltage)	U	Test Input	AMIN	Digital output MIN
~	Switching Output (NO)	Ū	Test Input inverted	AMAX	Digital output MAX
A	Switching Output (NC)	W	Trigger Input	AOK	Digital output OK
Ā	Switching Output (NC)	Q	Analog Output	SY in	Synchronization In
V	Contamination/Error Output (NO)	O-	Ground for the Analog Output	SY OUT	Synchronization OUT
∇	Contamination/Error Output (NC)	BZ	Block Discharge	0,lt	Brightness output
E	Input (analog or digital)	AWV	Valve Output	M	Maintenance
T	Teach Input	a	Valve Control Output +		
Z	Time Delay (activation)	b	Valve Control Output 0 V		
S	Shielding	SY	Synchronization		
RxD	Interface Receive Path	E+	Receiver-Line		
TxD	Interface Send Path	S+	Emitter-Line		
RDY	Ready	⊕	Grounding		
GND	Ground	SrR	Switching Distance Reduction		
CL	Clock	Rx+/-	Ethernet Receive Path		
E/A	Output/Input programmable	Tx+/-	Ethernet Send Path		
⚡	IO-Link	Bus	Interfaces-Bus A(+)/B(-)		
PoE	Power over Ethernet	La	Emitted Light disengageable		
IN	Safety Input	Mag	Magnet activation		
OSSD	Safety Output	RES	Input confirmation		
Signal	Signal Output	EDM	Contactors Monitoring		
BI-D+/-	Ethernet Gigabit bidirect. data line (A-D)	ENaRS422	Encoder A/Ā (TTL)		
ENbRS422	Encoder 0-pulse 0-0̄ (TTL)	ENbRS422	Encoder B/B̄ (TTL)		

Wire Colors according to DIN IEC 757	
BK	Black
BN	Brown
RD	Red
OG	Orange
YE	Yellow
GN	Green
BU	Blue
VT	Violet
GY	Grey
WH	White
PK	Pink
GNYE	Green/Yellow

Specifications are subject to change without notice