

BD9BD9V01-5M

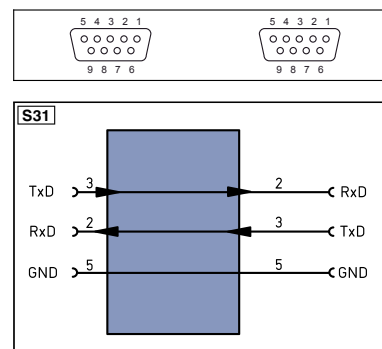
Part Number

Product picture
currently
not available



Technical Data

Mechanical Data	
Connection 1	Socket, straight
Connection mode 1	SUB D, 9-pin
Connection 2	Socket, straight
Connection mode 2	SUB D, 9-pin
Cable Length	5 m
Diameter Cable	5,4 mm
Wire cross-section	0,25 mm ²
Material Cable Jacket	PVC
Material Wire Isolation	PVC
Screened	yes
Packaging unit	1 Piece
Connection Diagram No.	S31
Connection Technology No.	73



Legend					
+	Supply Voltage +	PT	Platinum measuring resistor	ENa	Encoder A
-	Supply Voltage 0 V	nc	not connected	ENb	Encoder B
~	Supply Voltage (AC Voltage)	U	Test Input	AMIN	Digital output MIN
A	Switching Output (NO)	Ū	Test Input inverted	AMAX	Digital output MAX
Ā	Switching Output (NC)	W	Trigger Input	AOK	Digital output OK
V	Contamination/Error Output (NO)	Q	Analog Output	SY In	Synchronization In
∇	Contamination/Error Output (NC)	O-	Ground for the Analog Output	SY OUT	Synchronization OUT
E	Input (analog or digital)	BZ	Block Discharge	0 _{LT}	Brightness output
T	Teach Input	AWV	Valve Output	M	Maintenance
Z	Time Delay (activation)	a	Valve Control Output +	Wire Colors according to DIN IEC 757	
S	Shielding	b	Valve Control Output 0 V	BK	Black
RxD	Interface Receive Path	SY	Synchronization	BN	Brown
TxD	Interface Send Path	E+	Receiver-Line	RD	Red
RDY	Ready	S+	Emitter-Line	OG	Orange
GND	Ground	⊕	Grounding	YE	Yellow
CL	Clock	SrR	Switching Distance Reduction	GN	Green
E/A	Output/Input programmable	Rx+/-	Ethernet Receive Path	BU	Blue
IO-Link	IO-Link	Tx+/-	Ethernet Send Path	VT	Violet
PoE	Power over Ethernet	Bus	Interfaces-Bus A(+)/B(-)	GY	Grey
IN	Safety Input	La	Emitted Light disengageable	WH	White
OSSD	Safety Output	Mag	Magnet activation	PK	Pink
Signal	Signal Output	RES	Input confirmation	GNYE	Green/Yellow
BI-D+/-	Ethernet Gigabit bidirect. data line (A-D)	EDM	Contactor Monitoring		
EN0PMS42	Encoder 0-pulse 0-0̄ (TTL)	ENAPMS42	Encoder A/Ā (TTL)		
		ENBMS42	Encoder B/B̄ (TTL)		

Specifications are subject to change without notice