

Mounting Clamp for M12 × 1

BSM12NB

Part Number

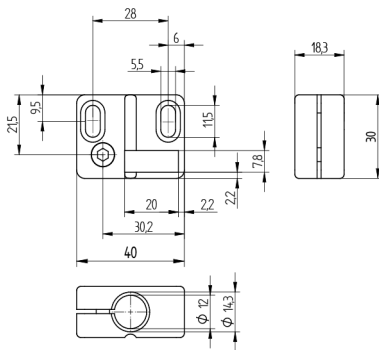


Technical Data

Mechanical Data

Material	Plastic
Packaging unit	1 Piece
Mounting Number	170

● Simple installation



All dimensions in mm (1 mm = 0.03937 Inch)

