

Inductive Sensor with Increased Switching Distance

I08H061

Part Number

weproTec

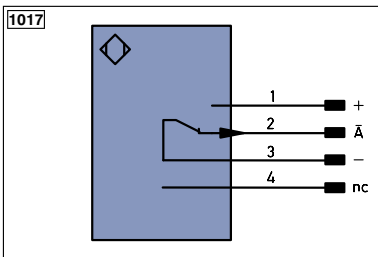
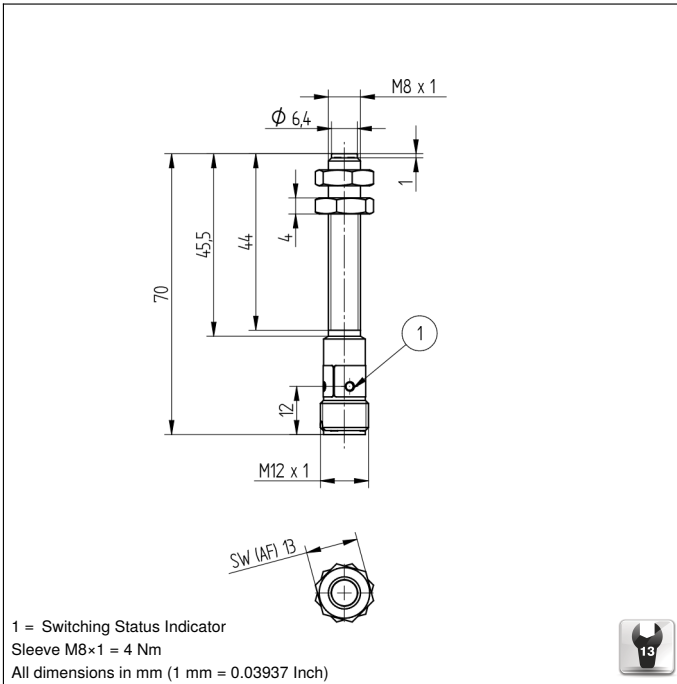


- Increased switching distance
- Innovative ASIC circuit technology
- Integrated error display
- Minimal mounting clearance thanks to wenglor weproTec

Inductive Sensors with increased switching distances are distinguished by rugged design, easy installation and reliable measured values. The large range makes additional types of sensor superfluous because they can also be used to implement special applications. In addition to error-free operation of several sensors in a very small space, the new generation also provides the possibility of detecting system errors before it's too late thanks to ASIC und wenglor weproTec.

Technical Data

Inductive Data	
Switching Distance	4 mm
Correction Factors Stainless Steel V2A/CuZn/Al	1,09/0,49/0,47
Mounting	semi-flush
Mounting A/B/C/D in mm	8/11/12/3
Mounting B1 in mm	0...6
Switching Hysteresis	< 10 %
Electrical Data	
Supply Voltage	10...30 V DC
Current Consumption (U _b = 24 V)	< 11 mA
Switching Frequency	630 Hz
Temperature Drift	< 10 %
Temperature Range	-40...80 °C
Switching Output Voltage Drop	< 1 V
Switching Output/Switching Current	150 mA
Residual Current Switching Output	< 100 µA
Short Circuit Protection	yes
Reverse Polarity and Overload Protection	yes
Protection Class	III
Mechanical Data	
Housing Material	CuZn, nickel-plated
Degree of Protection	IP67
Connection	M12 × 1; 4-pin
Safety-relevant Data	
MTTFd (EN ISO 13849-1)	3706,54 a
Diagnostic Coverage (DC)	0 %
Service Life TM (EN ISO 13849-1)	20 a
Function	
Error Indicator	yes
NPN NC	●
Connection Diagram No.	1017
Suitable Connection Equipment No.	2
Suitable Mounting Technology No.	200 202



Legend	
+	Supply Voltage +
-	Supply Voltage 0 V
~	Supply Voltage (AC Voltage)
A	Switching Output (NO)
Ā	Switching Output (NC)
V	Contamination/Error Output (NO)
V̄	Contamination/Error Output (NC)
E	Input (analog or digital)
T	Teach Input
Z	Time Delay (activation)
S	Shielding
RxD	Interface Receive Path
TxD	Interface Send Path
RDY	Ready
GND	Ground
CL	Clock
E/A	Output/Input programmable
	IO-Link
PoE	Power over Ethernet
IN	Safety Input
OSSD	Safety Output
Signal	Signal Output
BI...D +/-	Ethernet Gigabit bidirect. data line (A-D)
EN0...5422	Encoder 0-pulse 0-0 (TTL)
PT	Platinum measuring resistor
nc	not connected
U	Test Input
Ū	Test Input inverted
W	Trigger Input
O	Analog Output
O-	Ground for the Analog Output
BZ	Block Discharge
AWV	Valve Output
a	Valve Control Output +
b	Valve Control Output 0 V
SY	Synchronization
E+	Receiver-Line
S+	Emitter-Line
≡	Grounding
SnR	Switching Distance Reduction
Rx +/-	Ethernet Receive Path
Tx +/-	Ethernet Send Path
Bus	Interfaces-Bus A(+)/B(-)
La	Emitted Light disengageable
Mag	Magnet activation
RES	Input confirmation
EDM	Contactor Monitoring
ENAR...422	Encoder A/Ā (TTL)
ENBR...422	Encoder B/B̄ (TTL)
ENa	Encoder A
ENb	Encoder B
AMIN	Digital output MIN
AMAX	Digital output MAX
AOK	Digital output OK
SY In	Synchronization In
SY OUT	Synchronization OUT
Out	Brightness output
M	Maintenance
rsv	reserved

Wire Colors according to DIN IEC 757

BK	Black
BN	Brown
RD	Red
OG	Orange
YE	Yellow
GN	Green
BU	Blue
VT	Violet
GY	Grey
WH	White
PK	Pink
GNYE	Green/Yellow

Mounting



Specifications are subject to change without notice