

Inductive Sensor with Full-Metal Housing

IB060SE65UB3

Part Number

InoxSens



Technical Data

Inductive Data

Switching Distance	6 mm
Correction Factors Stainless Steel V2A/CuZn/Al	0,97/0,30/0,27
Mounting	non-flush
Mounting A/B/C/D in mm	12/18/18/10
Mounting A/B/C/D (V2A) in mm	12/18/18/10
Switching Hysteresis	< 15 %

Electrical Data

Supply Voltage	10...30 V DC
Current Consumption (U _b = 24 V)	< 15 mA
Switching Frequency	500 Hz
Temperature Drift	< 10 %
Temperature Range	-25...80 °C
Switching Output Voltage Drop	< 2,5 V
Switching Output/Switching Current	400 mA
Residual Current Switching Output	< 100 µA
Short Circuit Protection	yes
Reverse Polarity and Overload Protection	yes
Protection Class	III

Mechanical Data

Housing Material	Stainless Steel 316L
Full Encapsulation	yes
Degree of Protection	IP68/IP69K
Connection	M12 × 1; 4-pin
Mechanical Strength Sensor Area	60 bar
Ex II 3G Ex nA IIC T5 Gc X	yes
Ex II 3D Ex tc IIIC T90 °C Dc IP6X X	yes

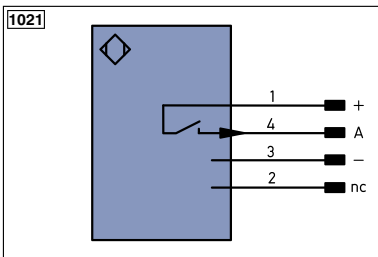
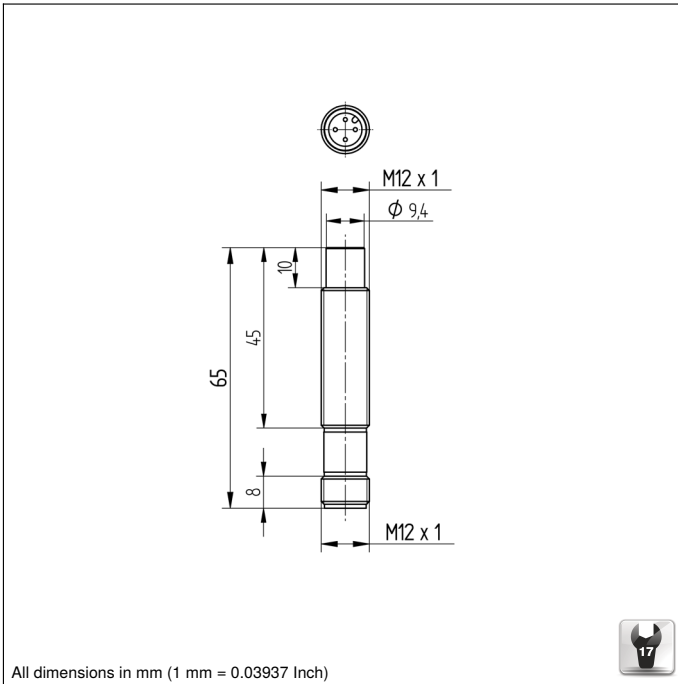
Safety-relevant Data

MTTFd (EN ISO 13849-1)	2118,02 a
PNP NO	●
Connection Diagram No.	1021
Suitable Connection Equipment No.	2
Suitable Mounting Technology No.	170

Housing: Stainless Steel V4A 1.4404, 316L

Complementary Products

Circlip Z0007	
PNP-NPN Converter BG2V1P-N-2M	



Legend			
+	Supply Voltage +	PT	Platinum measuring resistor
-	Supply Voltage 0 V	nc	not connected
~	Supply Voltage (AC Voltage)	U	Test Input
A	Switching Output (NO)	Ū	Test Input inverted
Ā	Switching Output (NC)	W	Trigger Input
V	Contamination/Error Output (NO)	W-	Ground for the Trigger Input
Ṽ	Contamination/Error Output (NC)	O	Analog Output
E	Input (analog or digital)	O-	Ground for the Analog Output
T	Teach Input	BZ	Block Discharge
Z	Time Delay (activation)	AWV	Valve Output
S	Shielding	a	Valve Control Output +
RxD	Interface Receive Path	b	Valve Control Output 0 V
TxD	Interface Send Path	SY	Synchronization
RDY	Ready	SY-	Ground for the Synchronization
GND	Ground	E+	Receiver-Line
CL	Clock	S+	Emitter-Line
E/A	Output/Input programmable	±	Grounding
	IO-Link	SnR	Switching Distance Reduction
PoE	Power over Ethernet	Rx+/-	Ethernet Receive Path
IN	Safety Input	Tx+/-	Ethernet Send Path
OSSD	Safety Output	Bus	Interfaces-Bus A(+)/B(-)
Signal	Signal Output	La	Emitted Light disengageable
Bl..D+/-	Ethernet Gigabit bidirect. data line (A-D)	Mag	Magnet activation
EN0..5422	Encoder 0-pulse 0-0 (TTL)	RES	Input confirmation
		EDM	Contactor Monitoring
		EN0..5422	Encoder A/Ā (TTL)
		EN0..5422	Encoder B/B̄ (TTL)
		ENa	Encoder A
		ENb	Encoder B
		AMIN	Digital output MIN
		AMAX	Digital output MAX
		AOK	Digital output OK
		SY in	Synchronization In
		SY OUT	Synchronization OUT
		OLt	Brightness output
		M	Maintenance
		rsv	reserved
		Wire Colors according to DIN IEC 757	
		BK	Black
		BN	Brown
		RD	Red
		OG	Orange
		YE	Yellow
		GN	Green
		BU	Blue
		VT	Violet
		GY	Grey
		WH	White
		PK	Pink
		GNVE	Green/Yellow

Mounting

