

Inductive Sensor Head for Extreme Temperature Ranges

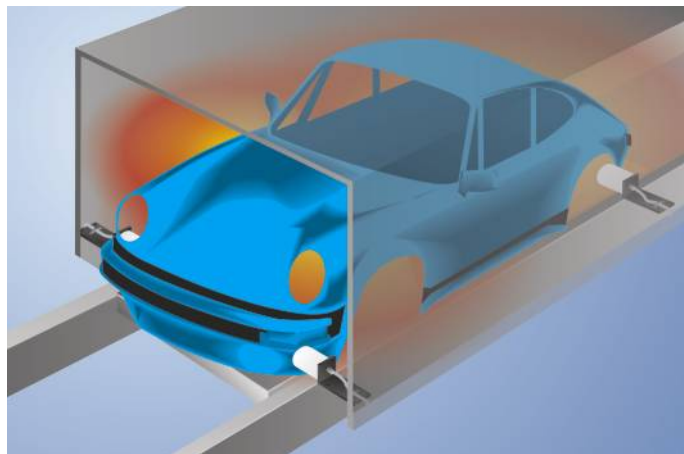
INRT008

Part Number



- Long service life of up to 100 000 hours
- Quickly interchangeable sensor head

The sensors consist of a sensor head and an analysis module, and are laid out for use in very hot work environments. Together with unparalleled service life in hot surroundings, large switching distances assure maximum system availability. Easily interchangeable sensor heads with numerous standard cable lengths are additionally available as separate replacement parts. Switching distance can be quickly adjusted via a potentiometer within a temperature range of -60 to 450° C.



Technical Data

Inductive Data

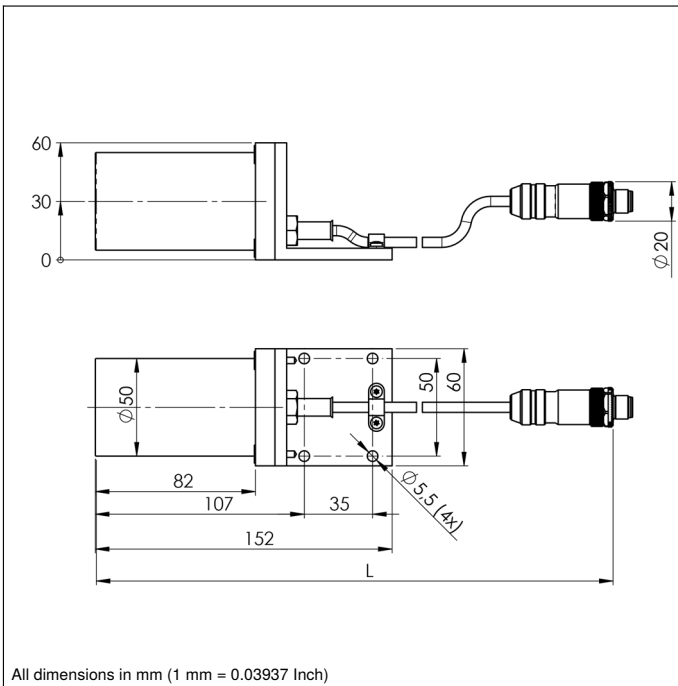
| | |
|--|----------------|
| Switching Distance | 25 mm |
| Correction Factors Stainless Steel V2A/CuZn/Al | 1,27/1,29/1,33 |
| Mounting | non-flush |
| Mounting A/B/C/D in mm | 95/200/40/85 |

Electrical Data

| | |
|-------------------------------|--------------|
| Sensor head temperature range | -60...450 °C |
| Protection Class | III |
| Service Life | 100000 h |

Mechanical Data

| | |
|-----------------------------------|----------------|
| Sensor head material | Ceramic |
| Degree of protection, sensor head | IP60 |
| Connection | M12 × 1; 4-pin |
| Cable Length (L) | 10 m |
| PWIS-free | yes |



Mounting

