

# T-Plug for Signal Extraction

## OPT70N

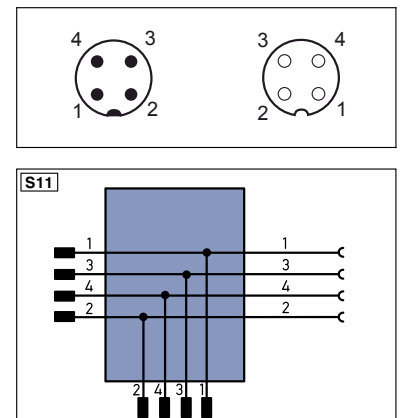
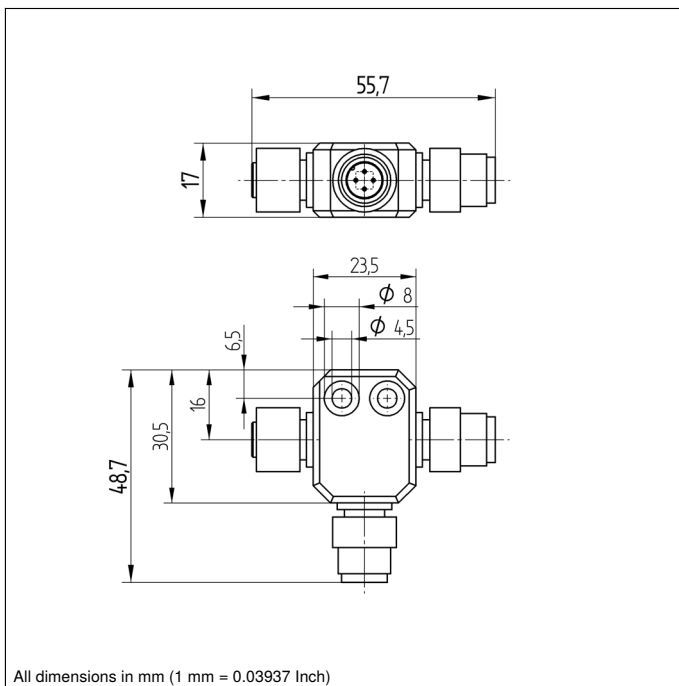
Part Number



### Technical Data

Electrical Data	
Signal Extraction	yes
Mechanical Data	
Connection 1	Plug, straight
Connection mode 1	M12 × 1, 4-pin
Connection 2	Plug, angled
Connection 2	Socket, angled
Connection mode 2	M12 × 1, 4-pin
Torque	M12: 0,8 Nm
Degree of Protection	IP68
Temperature Range	-25...90 °C
Material Cap Nut	CuZn
Packaging unit	1 Piece
Connection Diagram No.	<b>S11</b>
Connection Technology No.	<b>2 21</b>

### ● With fixing holes



Legend					
+	Supply Voltage +	PT	Platinum measuring resistor	EN <sub>A</sub>	Encoder A
-	Supply Voltage 0 V	nc	not connected	EN <sub>B</sub>	Encoder B
~	Supply Voltage (AC Voltage)	U	Test Input	AMIN	Digital output MIN
A	Switching Output (NO)	Ū	Test Input inverted	AMAX	Digital output MAX
Ā	Switching Output (NC)	W	Trigger Input	AOK	Digital output OK
V	Contamination/Error Output (NO)	Q	Analog Output	SY <sub>in</sub>	Synchronization In
∇	Contamination/Error Output (NC)	O-	Ground for the Analog Output	SY <sub>OUT</sub>	Synchronization OUT
E	Input (analog or digital)	BZ	Block Discharge	0 <sub>LT</sub>	Brightness output
T	Teach Input	AWV	Valve Output	M	Maintenance
Z	Time Delay (activation)	a	Valve Control Output +		
S	Shielding	b	Valve Control Output 0 V		
RxD	Interface Receive Path	SY	Synchronization		
TxD	Interface Send Path	E+	Receiver-Line		
RDY	Ready	S+	Emitter-Line		
GND	Ground	⊕	Grounding		
CL	Clock	SrR	Switching Distance Reduction		
E/A	Output/Input programmable	Rx+/-	Ethernet Receive Path		
IO-Link	IO-Link	Tx+/-	Ethernet Send Path		
PoE	Power over Ethernet	Bus	Interfaces-Bus A(+)/B(-)		
IN	Safety Input	La	Emitted Light disengageable		
OSSD	Safety Output	Mag	Magnet activation		
Signal	Signal Output	RES	Input confirmation		
BI-D+/-	Ethernet Gigabit bidirect. data line (A-D)	EDM	Contactor Monitoring		
EN <sub>0puls2</sub>	Encoder 0-pulse 0-0 (TTL)	EN <sub>A0puls2</sub>	Encoder A/Ā (TTL)		
		EN <sub>B0puls2</sub>	Encoder B/B̄ (TTL)		

Wire Colors according to DIN IEC 757	
BK	Black
BN	Brown
RD	Red
OG	Orange
YE	Yellow
GN	Green
BU	Blue
VT	Violet
GY	Grey
WH	White
PK	Pink
GNYE	Green/Yellow

Specifications are subject to change without notice