

T-Plug for Signal Extraction

OPT70S

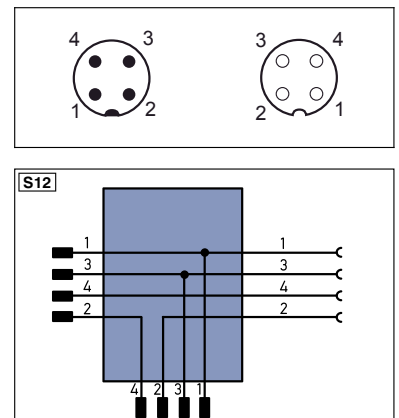
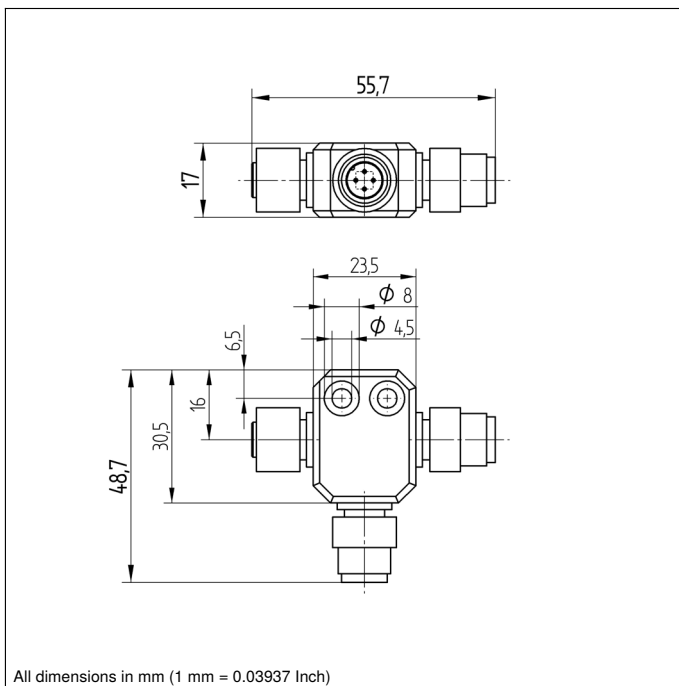
Part Number



Technical Data

Electrical Data	
Signal Extraction	yes
Logic Interruption	yes
Mechanical Data	
Connection 1	Plug, straight
Connection mode 1	M12 × 1, 4-pin
Connection 2	Plug, angled
Connection 2	Socket, angled
Connection mode 2	M12 × 1, 4-pin
Torque	M12: 0,8 Nm
Degree of Protection	IP68
Temperature Range	-25...90 °C
Material Cap Nut	CuZn
Packaging unit	1 Piece
Connection Diagram No.	S12
Connection Technology No.	2 21

● With fixing holes



Legend			
+	Supply Voltage +	PT	Platinum measuring resistor
-	Supply Voltage 0 V	nc	not connected
~	Supply Voltage (AC Voltage)	U	Test Input
A	Switching Output (NO)	Ū	Test Input inverted
Ā	Switching Output (NC)	W	Trigger Input
V	Contamination/Error Output (NO)	Q	Analog Output
∇	Contamination/Error Output (NC)	O-	Ground for the Analog Output
E	Input (analog or digital)	BZ	Block Discharge
T	Teach Input	AWV	Valve Output
Z	Time Delay (activation)	a	Valve Control Output +
S	Shielding	b	Valve Control Output 0 V
RxD	Interface Receive Path	SY	Synchronization
TxD	Interface Send Path	E+	Receiver-Line
RDY	Ready	S+	Emitter-Line
GND	Ground	⊕	Grounding
CL	Clock	SrR	Switching Distance Reduction
E/A	Output/Input programmable	Rx+/-	Ethernet Receive Path
🔌	IO-Link	Tx+/-	Ethernet Send Path
PoE	Power over Ethernet	Bus	Interfaces-Bus A(+)/B(-)
IN	Safety Input	La	Emitted Light disengageable
OSSD	Safety Output	Mag	Magnet activation
Signal	Signal Output	RES	Input confirmation
BI-D+/-	Ethernet Gigabit bidirect. data line (A-D)	EDM	Contactur Monitoring
EN61822	Encoder 0-pulse 0-0 (TTL)	EN61822	Encoder A/Ā (TTL)
		EN61822	Encoder B/B̄ (TTL)
		ENa	Encoder A
		ENb	Encoder B
		AMIN	Digital output MIN
		AMAX	Digital output MAX
		AOK	Digital output OK
		SY in	Synchronization In
		SY OUT	Synchronization OUT
		0:rt	Brightness output
		M	Maintenance
		Wire Colors according to DIN IEC 757	
		BK	Black
		BN	Brown
		RD	Red
		OG	Orange
		YE	Yellow
		GN	Green
		BU	Blue
		VT	Violet
		GY	Grey
		WH	White
		PK	Pink
		GNYE	Green/Yellow

Specifications are subject to change without notice