

Reflector

82 × 22,5 × 7,5 mm

RE8222BA

Part Number

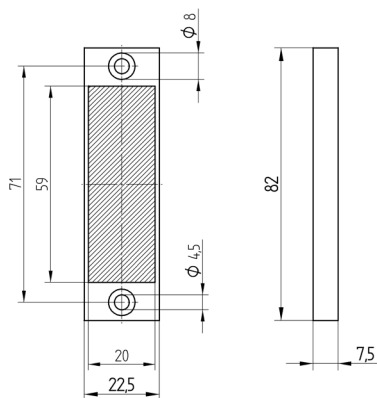


Technical Data

Mechanical Data

Structure	Macro Structure
Mounting Type	Fixing Holes
Material	Plastic
Degree of Protection	IP67
Temperature Range	-20...60 °C
Packaging unit	1 Piece

- With fixing holes



All dimensions in mm (1 mm = 0.03937 Inch)