

Safety Light Array

Body Protection

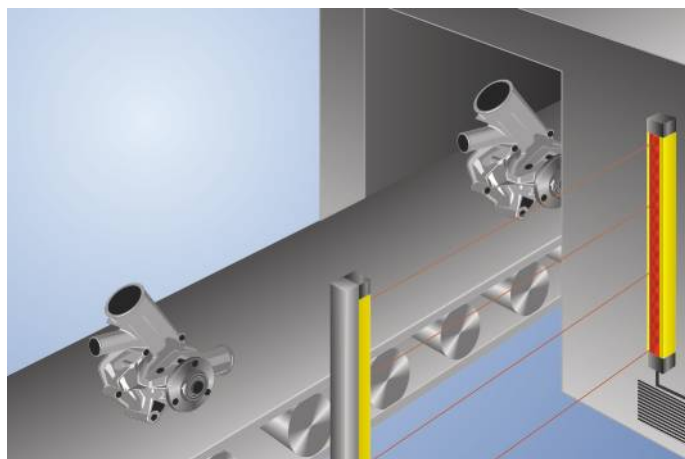
SB4-50IE050C1

Part Number



- Completely integrated electronics
- Fix blanking, reduced resolution, cascading, muting
- Serial interface

These safety light arrays are distinguished by their compact design. They are also equipped with numerous auxiliary functions, allowing for adaptation to the respective application in a highly individualized fashion. The adequate mounting angle BEF-SET-33 is included in the delivery.



Technical Data

Optical Data

Range	0,5...20 m
Beam Distance	500 mm
Number of Beams	2
Light Source	Red Light
Opening Angle	± 2,5 °

Electrical Data

Sensor Type	Receiver
Supply Voltage	21,6...26,4 V DC
Current Consumption (U _b = 24 V)	300 mA
Response Time	5,7 ms
Temperature Range	-20...50 °C
Storage temperature	-25...70 °C
No. Safety Outputs (OSSDs)	2
Safety Output Voltage Drop	< 2,5 V
PNP Safety Output/Switching Current	300 mA
Signal Outputs	1
Signal Output Voltage Drop	< 2,5 V
Signal Output/Switching Current	200 mA
Short Circuit and Overload Protection	yes
Reverse Polarity Protection	yes
Interface	RS-485
Protection Class	III

Mechanical Data

Housing Material	Aluminum
Disk Material	Polycarbonate
Degree of Protection	IP67
Connection	M12 × 1; 8-pin

Safety-relevant Data

ESPE Type (EN 61496)	4
Safety Category (EN ISO 13849-1)	4
Performance Level (EN ISO 13849-1)	PL e
PFHD	3,08 × E-8 1/h
Service Life TM (EN ISO 13849-1)	20 a

Function

Body Protection	yes
Restart Inhibit	yes
Contact Monitoring	yes
Cascading	yes
Fix Blanking	yes
Reduced Resolution	yes
Serial Communication	yes

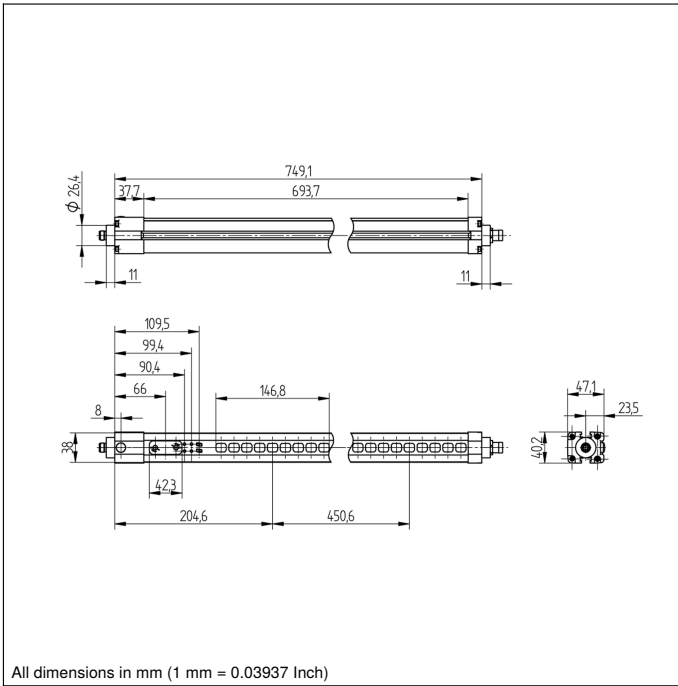
Connection Table No.	28
Control Panel No.	S4
Suitable Connection Technology No.	88 88s
Suitable Mounting Technology No.	700
Suitable Serial Interface Plug No.	11

Suitable Emitter

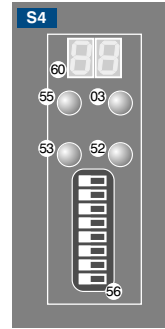
SB4-50IS050C1

Complementary Products

Muting Indicator SM0-00CA000C1
Path-Folding Mirror Z2UG002
Protection Column with Path-Folding Mirror SZ000EU125NN01
Protection Column with Protective Screen SZ000EG125NN01
Safety Relay SG4-00VA000R2, SR4B3B01S, SR4D3B01S
Software
Software wsafe



Ctrl. Panel



- 03 = Error Indicator
- 20 = Enter Button
- 52 = OSSD ON
- 53 = OSSD OFF
- 55 = Blanking
- 56 = Dip-Switch
- 60 = Display

