

Protection Column with Protective Screen

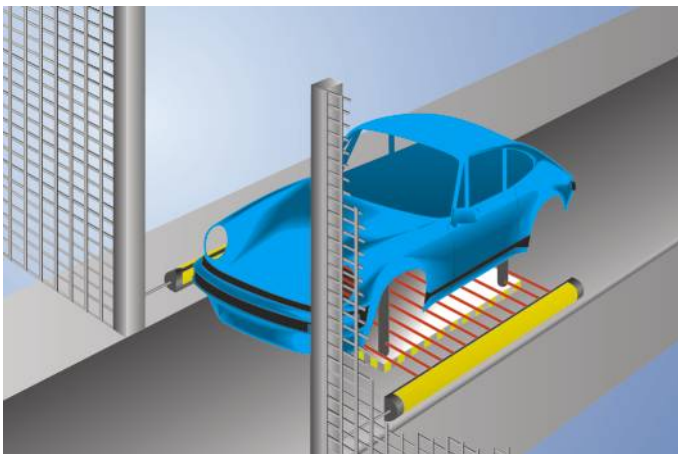
SZ000EG215NN01

Part Number



- Floor or wall mounting possible
- Mechanical protection against damages
- Quick and easy alignment through innovative mounting

The wenglor protection column offers optimal protection for safety light curtains and multi-beam safety light arrays in rough surroundings. When combined with the floor mounting, this enables free-standing mounting. The wall mounting is suitable for stable horizontal mounting at standard profiles. The integrated water level enables an intuitive adjustment. A quick and precise axial and vertical alignment can be made with a few quick hand grips.



Technical Data

Mechanical Data

| | |
|--------------------------|---------------|
| Housing Material | Aluminum |
| Disk Material | Polycarbonate |
| Cable subway | bottom/top |
| Installation Space (EBR) | 2153 mm |

Suitable Mounting Technology No. **710** **770** **780**

Mounting Bracket, Floor or Wall Mounting are required for mounting (not included in delivery)

Complementary Products

Floor Mounting ZMBSZ0001

Mounting Bracket BEF-SET-36

Mounting Bracket ZEMX002

Wall Mounting ZMBSZ0002

