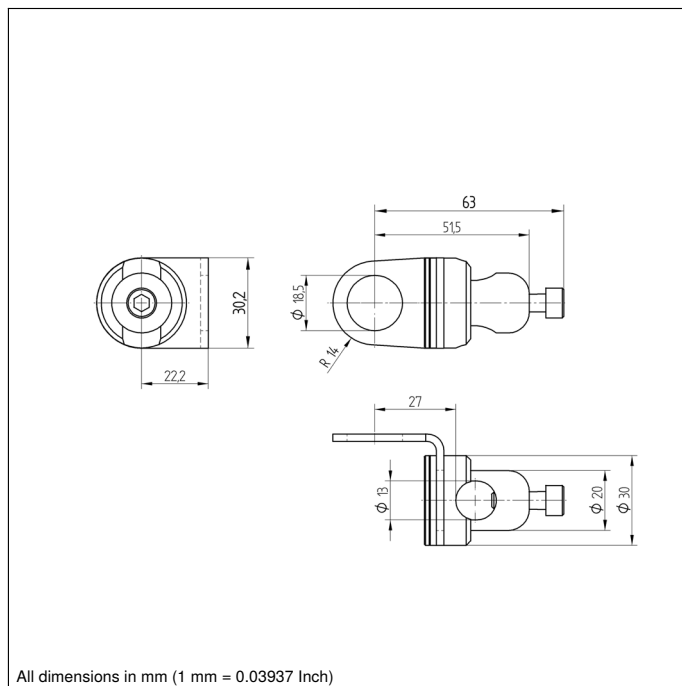


Mounting System for M18 × 1

W18S12VA

Part Number



Technical Data

Mechanical Data

Material Mounting Head	Stainless Steel V2A
Material Mounting Plate for Round Profile Diameter	Stainless Steel V2A 8...12,5 mm
Packaging unit	1 Piece
Mounting Number	150
Suitable Mounting Technology No.	550

- Flexible alignment possibilities
- For M18 × 1
- Simple installation
- Stainless steel

The mounting system allows to adjust sensors and reflectors and to turn them around 360 degrees in horizontal and vertical direction.

