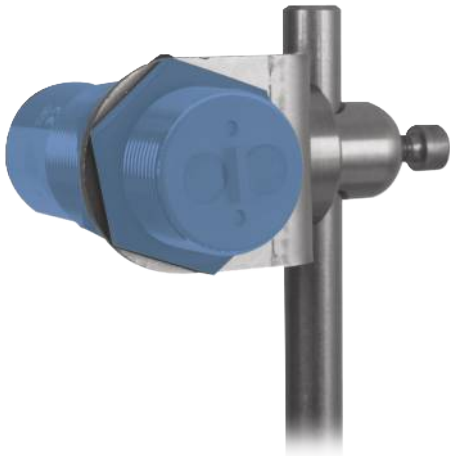


Mounting System for M30 × 1,5

W30S12AL

Part Number



Technical Data

Mechanical Data

Material Mounting Head	Aluminum
Material Mounting Plate	Stainless Steel V2A
for Round Profile Diameter	8...12,5 mm
Packaging unit	1 Piece
Mounting Number	130
Suitable Mounting Technology No.	550

- Aluminum
- Flexible alignment possibilities
- For M30 × 1,5
- Simple installation

The mounting system allows to adjust sensors and reflectors and to turn them around 360 degrees in horizontal and vertical direction.

