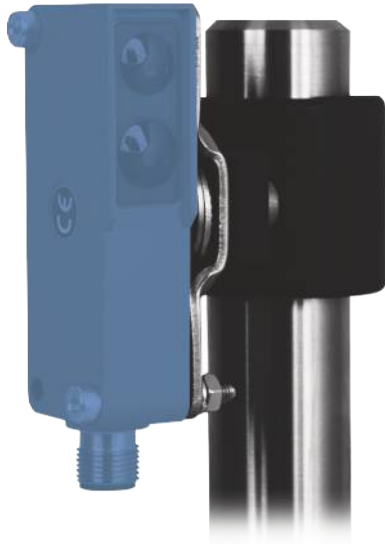


Mounting System

for 76 × 32,5 × 18 mm (N)

WNS30KU

Part Number



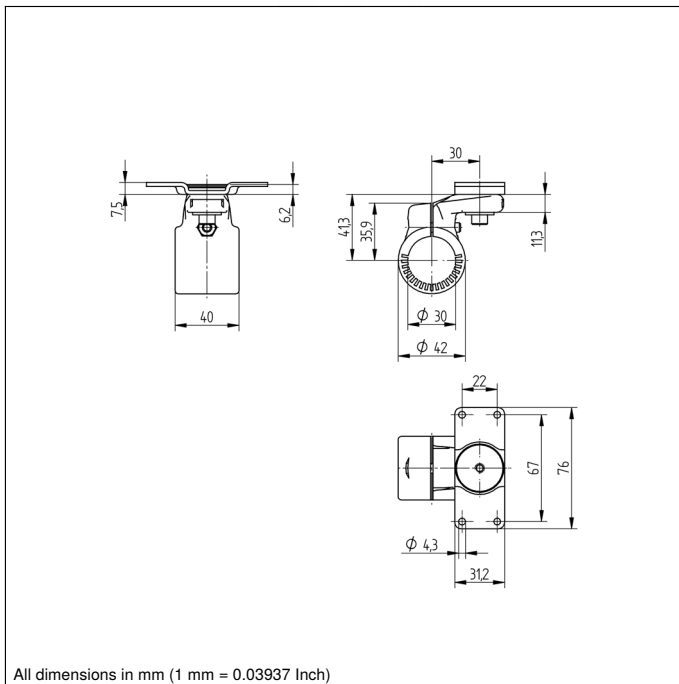
Technical Data

Mechanical Data

Material Mounting Head	Plastic PA
Material Mounting Plate	Stainless Steel
for Round Profile Diameter	30 mm
Packaging unit	1 Piece
Mounting Number	350

- Flexible alignment possibilities
- Plastic
- Simple installation

The mounting system allows to adjust sensors and reflectors and to turn them around 360 degrees in horizontal and vertical direction.



All dimensions in mm (1 mm = 0.03937 Inch)

