

# Mounting Tool for InoxLock Set

## Z0012

Part Number

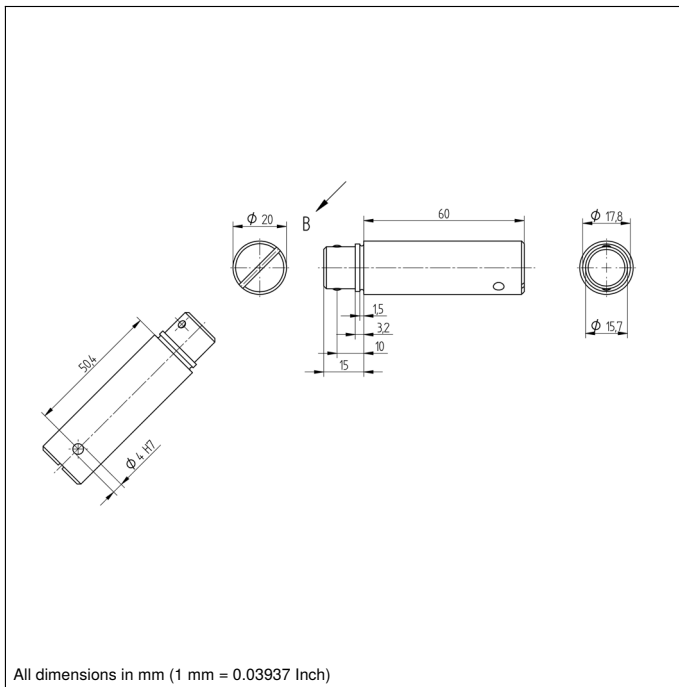
### Technical Data

#### Mechanical Data

Material

Stainless Steel

- For mounting the InoxLock set



All dimensions in mm (1 mm = 0.03937 Inch)

