

Protection Housing Set for 75 × 32,5 × 18 mm (1N)

Z1NS001

Part Number

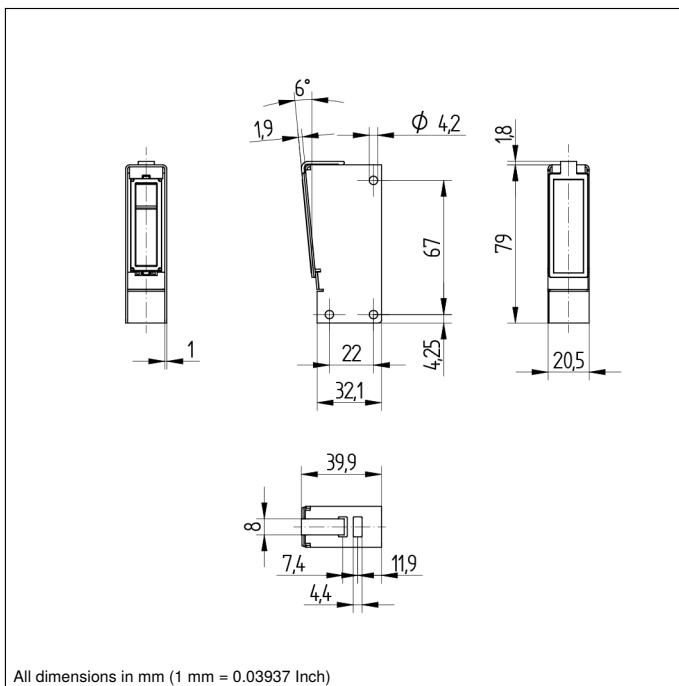


Technical Data

Mechanical Data

Material	Stainless Steel; Plastic
Scope of delivery	Screening Grid
Packaging unit	1 Piece
Suitable Mounting Technology No.	350

- For 75 × 32,5 × 18 mm (1N)
- Protective housing for adverse environments
- Stainless steel housing



All dimensions in mm (1 mm = 0.03937 Inch)

