

Glass Fiber-Optic Cable

Reflex Mode for P1XF

Z95D001

Part Number



Technical Data

Optical Data

Fiber Bundle Diameter	3 mm
Fiber	Step Index
Fiber Distribution	statistical mixture

Mechanical Data

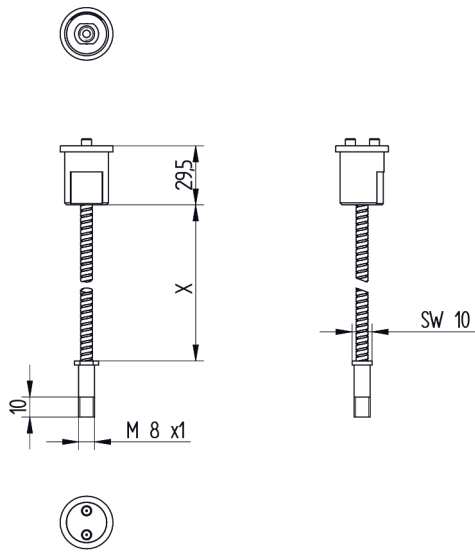
Temperature Range	0...60 °C
Bending Radius	50 mm
Fiber Optic Length	1 m
Material Jacket	CuZn, nickel-plated

Fiber Optic Cable Adapter No.

01



Z95D001



All dimensions in mm (1 mm = 0.03937 Inch)