

Adapter

for 1/2" connections with undercut

ZH4C001

Part Number

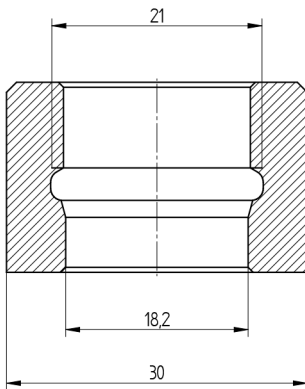


Technical Data

Mechanical Data

Height	20 mm
Material	Stainless Steel 1.4404
Mounting	flush
Connection	G 1/2"
Packaging unit	1 Piece
Mounting Number	903

This weld-in adapter is suitable for 1/2" connections with undercut.



All dimensions in mm (1 mm = 0.03937 Inch)