

Mounting Console for Ø 20 mm

ZMKII0002

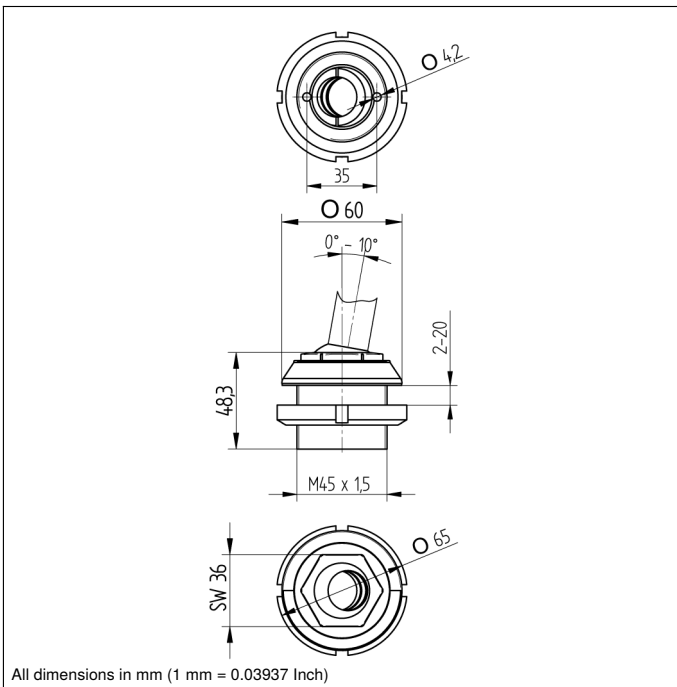
Part Number



Technical Data

Mechanical Data	
Material	Stainless Steel 316L
Material Sealing	Silicone (FDA)
Material O-Ring	FPM (FDA)
Material Ball	PTFE (FDA)
Angle compensation	10 °
Degree of Protection	IP68/IP69K
Packaging unit	1 Piece
Hygienic Design	<input checked="" type="checkbox"/>
Detergent resistant	<input checked="" type="checkbox"/>
Mounting Number	140

- For angle compensation
- Hygienic design makes it easy to clean
- Made with food safe materials that are FDA approved
- Resistant to cleaning agents



InoxSens is the hygiene series from wenglor. In addition to numerous other components, the InoxSens mounting console is also part of this complete system, which is seamlessly integrated into the machine. InoxSens sensors and mounting tubes can be fed through the system's side panel and mounted in a gap-free fashion with the help of the mounting console. Sensors can even be mounted on inclined surfaces, and can be quickly and easily adjusted thanks to angle compensation of up to 10°.

