

Mounting Tube with InoxLock

ZMRII0402

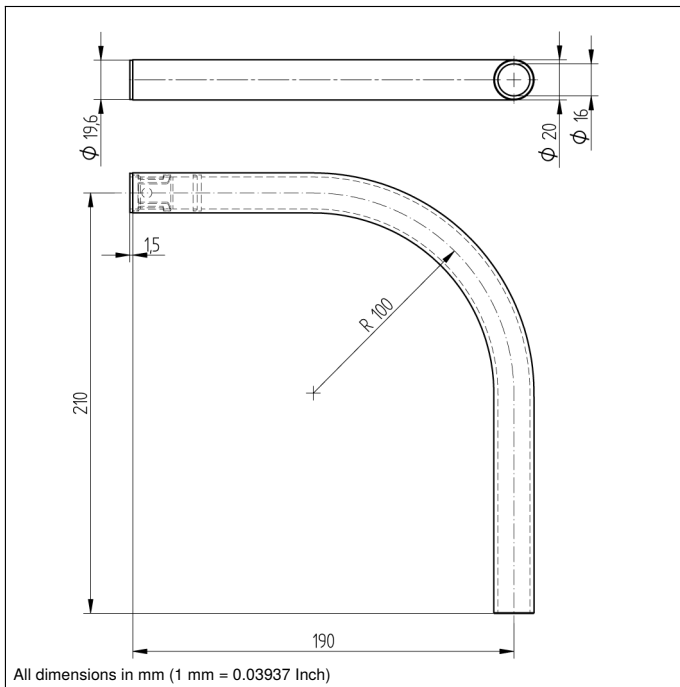
Part Number

Technical Data

Mechanical Data	
Material	Stainless Steel 316L
Material Sealing	Silicone (FDA)
Tube Length (L)	350 mm
Degree of Protection	IP68/IP69K
with threaded cable gland IP68/IP69K	no
Packaging unit	1 Piece
Hygienic Design	<input checked="" type="checkbox"/>
Detergent resistant	<input checked="" type="checkbox"/>
Mounting Number	490 500
Suitable Mounting Technology No.	140



- Hygienic design makes it easy to clean
- Made with food safe materials that are FDA approved
- Resistant to cleaning agents
- Waterproof (IP68/IP69K)



InoxSens is the hygiene series from wenglor. The InoxSens mounting tubes are also part of this complete system, which is seamlessly integrated into the machine. The stainless steel tubes made of V4A (1.4404/316L) are corrosion-free and resistant to cleaning agents, and they provide IP68/IP69K protection for all standard connector cables. The mounting tubes are available in straight and angled versions, as well as with threaded cable gland IP69K. The InoxLock set is also available separately for assembly by the customer.

