

Mounting System

for 1P, 1N, 1T and 1M Housings and Reflectors

ZNNZ002

Part Number



Technical Data

Mechanical Data

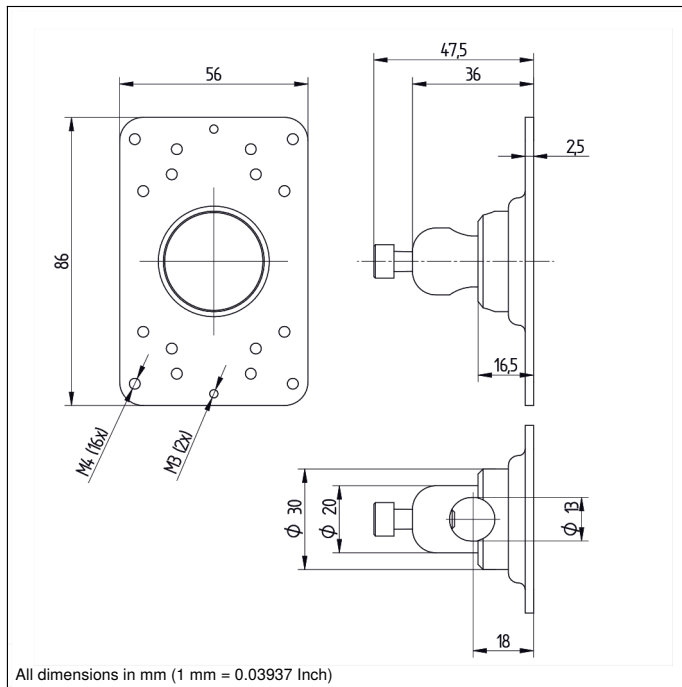
Material Mounting Head	Stainless Steel V2A
Material Mounting Plate	Stainless Steel V2A
for Round Profile Diameter	8...12,5 mm
Packaging unit	1 Piece

Suitable Mounting Technology No.

550

- **Highly flexible with 360° horizontal and vertical setting angle range**
- **Quick sensor installation thanks to threaded holes**
- **Rugged stainless steel design**
- **Universal mounting plate suitable for sensors with 1P, 1N, TA and M housings, as well as reflectors**

The rugged, stainless steel mounting system offers all-around full flexibility for installation. Sensors and reflectors can be rotated and set in the horizontal and vertical planes anywhere within a 360° range. Included threaded holes simplify installation and make it quicker.



Complementary Products

Mounting Set BEF-SET-14 (for 1N and P Housings)

Mounting Set BEF-SET-38 (for TA Housing)

Mounting Set Z1ME001 (for M Housing)

Mounting Set Z1PE004 (for 1P Housing)

