

# Floodlight

## ZVZF002

Part Number

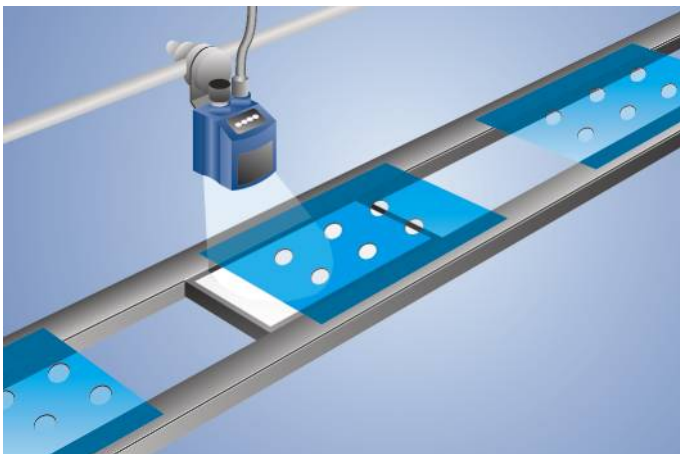


- Diffuse illumination with incident light mode
- Especially for through-beam operating mode
- Flashlight mode synchronizable with image processing

### Technical Data

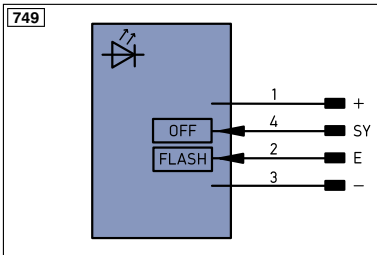
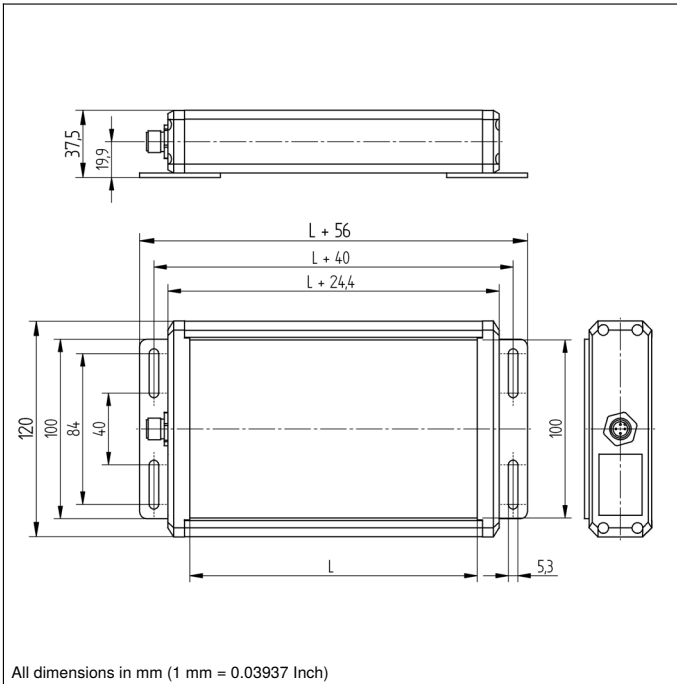
Optical Data	
Light Source	White Light
Service Life (T = +25 °C)	100000 h
Luminance (continuous light mode)	~ 13000 cd/m <sup>2</sup>
Luminance (flashlight mode)	~ 35000 cd/m <sup>2</sup>
Electrical Data	
Supply Voltage	22...27 V DC
Current Consumption (U <sub>b</sub> = 24 V)	< 800 mA
Temperature Range	0...50 °C
Reverse Polarity Protection	yes
Protection Class	III
Mechanical Data	
Luminous Field Length (L)	160 mm
Housing Material	Aluminum
Degree of Protection	IP42
Connection	M12 × 1; 4-pin
Connection Diagram No.	<b>749</b>
Connection Table No.	<b>32</b>
Suitable Connection Technology No.	<b>2</b>

The wenglor floodlight can be used either with through-beam or incident light operating mode. Transparent and reflective objects as well as object contours are illuminated well.




### Complementary Products

Connection Cable BG2BSW1-08M, ZAV89V901, ZDCG001  
Polarization Filter ZNNG009, ZVP0F0902



### Legend

+	Supply Voltage +	PT	Platinum measuring resistor	ENa	Encoder A
-	Supply Voltage 0 V	nc	not connected	ENb	Encoder B
~	Supply Voltage (AC Voltage)	U	Test Input	AMIN	Digital output MIN
A	Switching Output (NO)	Ū	Test Input inverted	AMAX	Digital output MAX
Ā	Switching Output (NC)	W	Trigger Input	AOK	Digital output OK
V	Contamination/Error Output (NO)	O	Analog Output	SY In	Synchronization In
ṽ	Contamination/Error Output (NC)	O-	Ground for the Analog Output	SY OUT	Synchronization OUT
E	Input (analog or digital)	BZ	Block Discharge	Out	Brightness output
T	Teach Input	Aw	Valve Output	M	Maintenance
Z	Time Delay (activation)	a	Valve Control Output +		
S	Shielding	b	Valve Control Output 0 V		
RxD	Interface Receive Path	SY	Synchronization		
TxD	Interface Send Path	E+	Receiver-Line		
RDY	Ready	S+	Emitter-Line		
GND	Ground	≡	Grounding		
CL	Clock	SnR	Switching Distance Reduction		
E/A	Output/Input programmable	Rx+/-	Ethernet Receive Path		
	IO-Link	Tx+/-	Ethernet Send Path		
PoE	Power over Ethernet	Bus	Interfaces-Bus A(+)/B(-)		
IN	Safety Input	La	Emitted Light disengageable		
OSSD	Safety Output	Mag	Magnet activation		
Signal	Signal Output	RES	Input confirmation		
Bl..D+/-	Ethernet Gigabit bidirect. data line (A-D)	EDM	Contactorm Monitoring		
EN0_0542	Encoder 0-pulse 0-0 (TTL)	ENa0542	Encoder A/Ā (TTL)		
		ENb0542	Encoder B/B̄ (TTL)		

### Wire Colors according to DIN IEC 757

BK	Black
BN	Brown
RD	Red
OG	Orange
YE	Yellow
GN	Green
BU	Blue
VT	Violet
GY	Grey
WH	White
PK	Pink
GNYE	Green/Yellow

