

## ITEM 123658 RIEGEL CTP-GFK-F

Description	Technical data	Accessories	Downloads
-------------	----------------	-------------	-----------



### Features

- › Fiber glass reinforced plastic bolt
- › For doors hinged on the left or right
- › Lever for escape release from the danger area
- › Detent knob in open position
- › Can be locked in open position with padlocks
- › Actuator included

### Advantages

- › Light, compact construction
- › Easily fitted to standard aluminum profiles and machine covers by screw connection
- › Distinctive yellow color for easy recognition
- › No additional door handle necessary

### Special features

- › Bolt with detent mechanism: The bolt latches in open position to prevent unintentional closing of the bolt

## Notes

- › Functions only in conjunction with switch bracket **TP-GFK**
- › Order safety switch separately
- › Order switch bracket separately

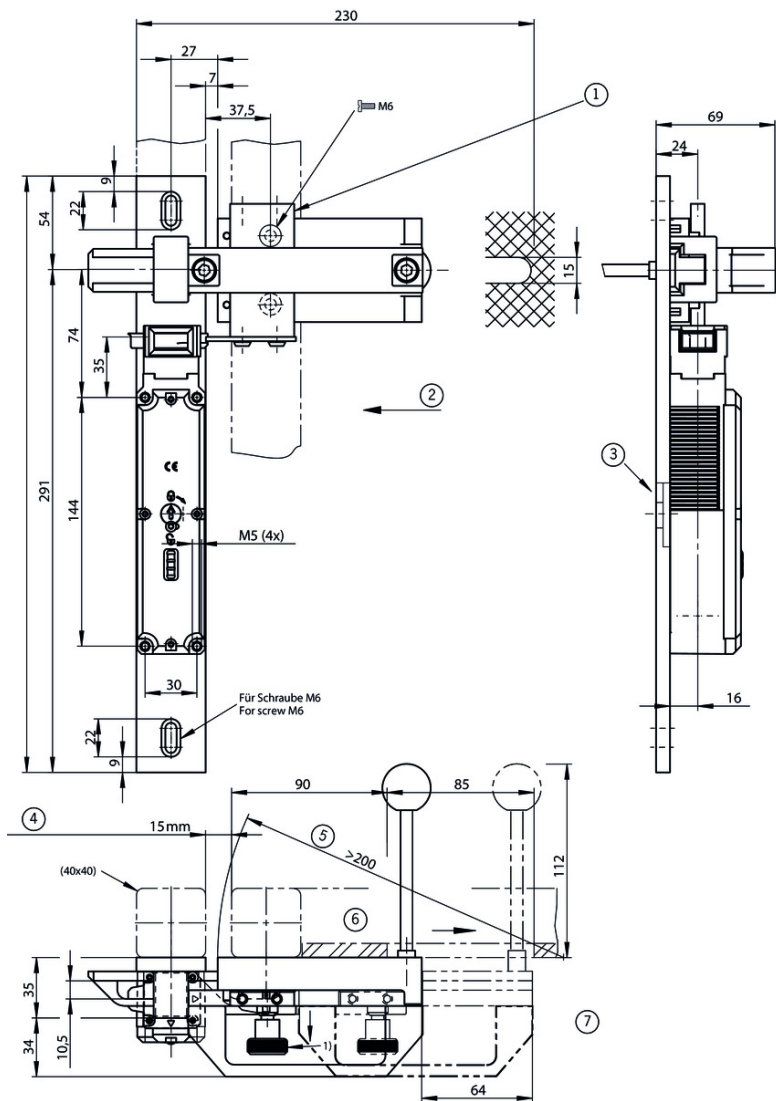
## Mechanical values and environment

Material	Handle	Plastic
	Guide strips	Plastic
	Base plate	Plastic
	Switch bracket	Plastic
Weight	Net	0,5 kg
	Escape release	Yes
Number of safety switches that can be fitted		1

## Miscellaneous

Detent mechanism	Open position	Bolt detent mechanism
------------------	---------------	-----------------------

## Dimension drawing



## Legende

- 1 For doors hinged on the left the actuator is to be mounted on this side and the approach direction for the switch and bolt changed.
  - 2 Safety switch CTP... Approach direction A
  - 3 Cut-out for escape release switch
  - 4 Door gap
  - 5 Door radius
  - 6 Door hinged on the right
  - 7 Attention: Excessively high forces and energies can result in the failure of the plastic bolt. A risk analysis is to be undertaken by the user prior to installation.
- 1) Bolt with detent mechanism latches in open position (Prevents unintentional closing of the bolt) Unlocked by pulling the detent knob upward

## Mounting accessories

- ▼ Switch bracket TP/STP GFK

**096613** SCHALTERAUFNAHME TP/STP GFK

- ▼ Features



- › Switch bracket made of fiber glass reinforced plastic
- › For left or right hinged doors

## Catalogs

- ▼ Transpondercodierter Sicherheitsschalter CTP mit Zuhaltung transponder-coded safety switch CTP with guard locking Interrupteur de sécurité à codage par transpondeur CTP avec interverrouillage Interruptor de seguridad CTP codifi cado por transponder con bloqueo Finecorsa di sicurezza con codifi ca a transponder CTP con meccanismo di ritenuta Kilitli RFID kodlu emniyet salteri CTP Chave de segurança codifi cada por transponder CTP com bloqueio Bezpečnostní spínac CTP s kódovaným transpondérem a jištěním ochranného krytu 带锁定功能的 CTP应答式编码 安全开关

	Doc. no.	Version	Language	Download
Transpondercodierter Sicherheitsschalter CTP mit Zuhaltung	123243	12-02/18		2.3 MB
Interrupteur de sécurité à codage par transpondeur CTP avec interverrouillage	123245	12-02/18		2.3 MB
Interruptor de seguridad CTP codifi cado por transponder con bloqueo	123246	12-02/18		2.3 MB
transponder-coded safety switch CTP with guard locking	123244	12-02/18		2.3 MB
Finecorsa di sicurezza con codifi ca a transponder CTP con meccanismo di ritenuta	126042	12-02/18		2.3 MB
Kilitli RFID kodlu emniyet salteri CTP	126076	12-02/18		2.4 MB
Chave de segurança codifi cada por transponder CTP com bloqueio	126214	12-02/18		2.3 MB
Bezpečnostní spínac CTP s kódovaným transpondérem a jištěním ochranného krytu	126604	12-02/18		2.3 MB
带锁定功能的 CTP应答式编码 安全开关	158439	12-02/18		2.4 MB

- ▼ Transpondercodierte Sicherheitsschalter - Verriegelungseinrichtungen und Zuhaltungen Transponder-coded safety switches - Interlocking devices and guard locking devices Interruptores de seguridad con codificación por transponder - Dispositivos de enclavamiento y bloqueos Interrupteurs de sécurité à codage par transpondeur - Dispositifs de verrouillage et interverrouillages

	Doc. no.	Version	Language	Download
Transpondercodierte Sicherheitsschalter - Verriegelungseinrichtungen und Zuhaltungen	127594	02-01/18		5.2 MB
Interrupteurs de sécurité à codage par transpondeur - Dispositifs de verrouillage et interverrouillages	137558	02-01/18		5.2 MB
Interruptores de seguridad con codificación por transponder - Dispositivos de enclavamiento y bloqueos	137560	02-01/18		5.2 MB
Transponder-coded safety switches - Interlocking devices and guard locking devices	127595	02-01/18		5.1 MB

